



Important Information Thin-Trim® Changes on RoHS Compliant Parts

Johanson Manufacturing Corporation would like to call your attention to the fact that all of the newly launched RoHS compliant Thin-Trim® units **DO NOT** have any color coded identification markings. Package labels will be clearly marked with the part number.

How to Identify the Rotor Terminal

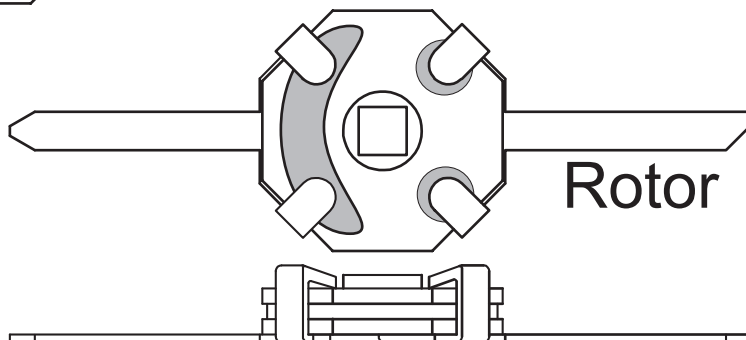
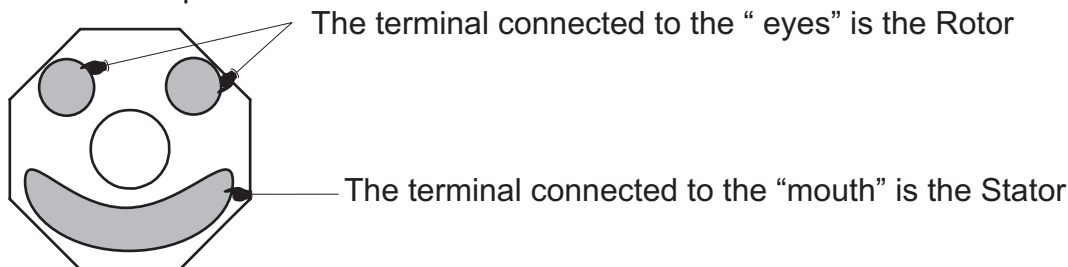
9701 Series

Not necessary for 9701 Series

9702 and 9710 Series

1. Locate the smiley pattern on the top disk
2. The Rotor terminal is connected to 2 patterns which look like eyes
3. The Stator terminal is connected to the pattern which looks like mouth

Pattern on top disk



Please pass this important information along to your receiving, engineering, quality and production departments. If you have any questions or require additional clarification, do not hesitate to contact the factory.