



TF100AB04-030

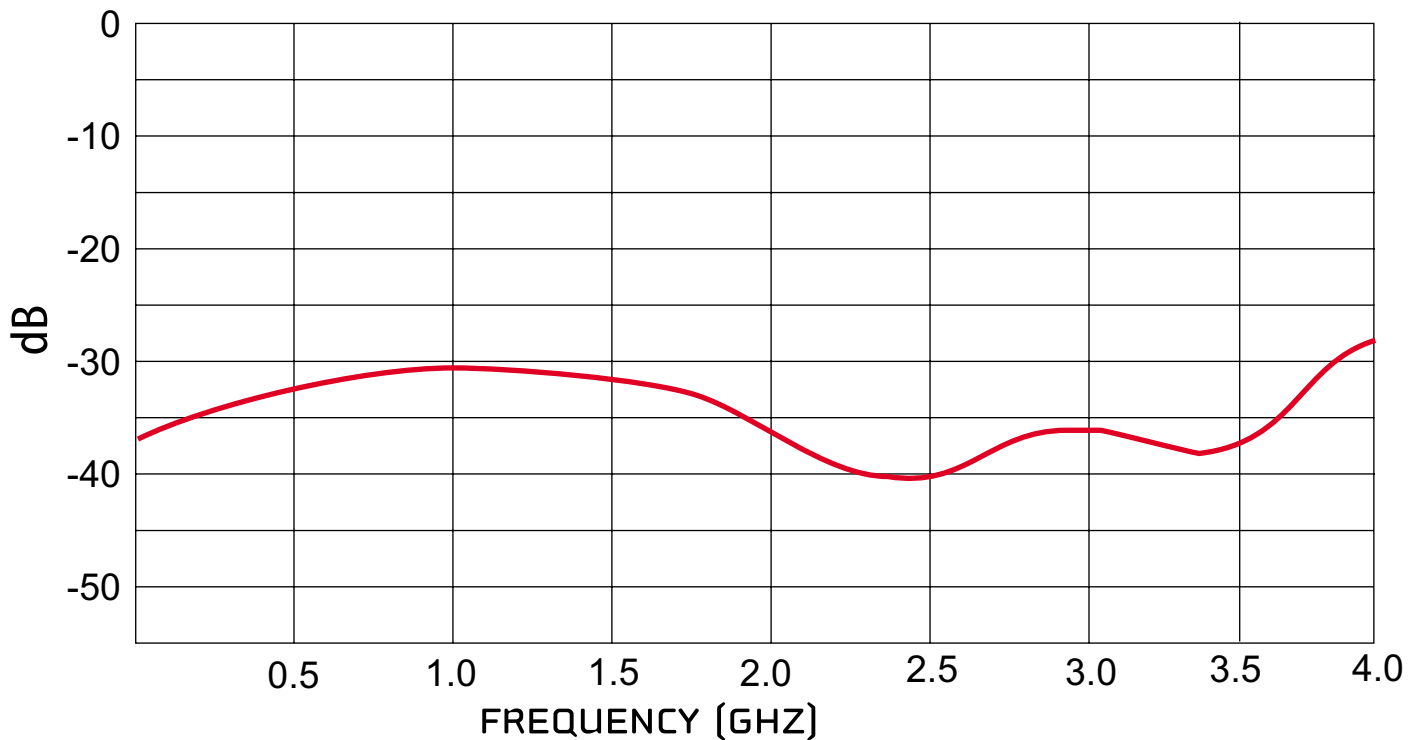
AIN Flanged Termination

Power: 100 Watts (CW)
Resistance: 50 Ω \pm 5%
VSWR: 1.20 :1
Frequency Range: DC to 4 GHz
Substrate: AIN



TYPICAL PERFORMANCE

RETURN LOSS



For detailed information regarding this product or sample request contact Johanson Sales

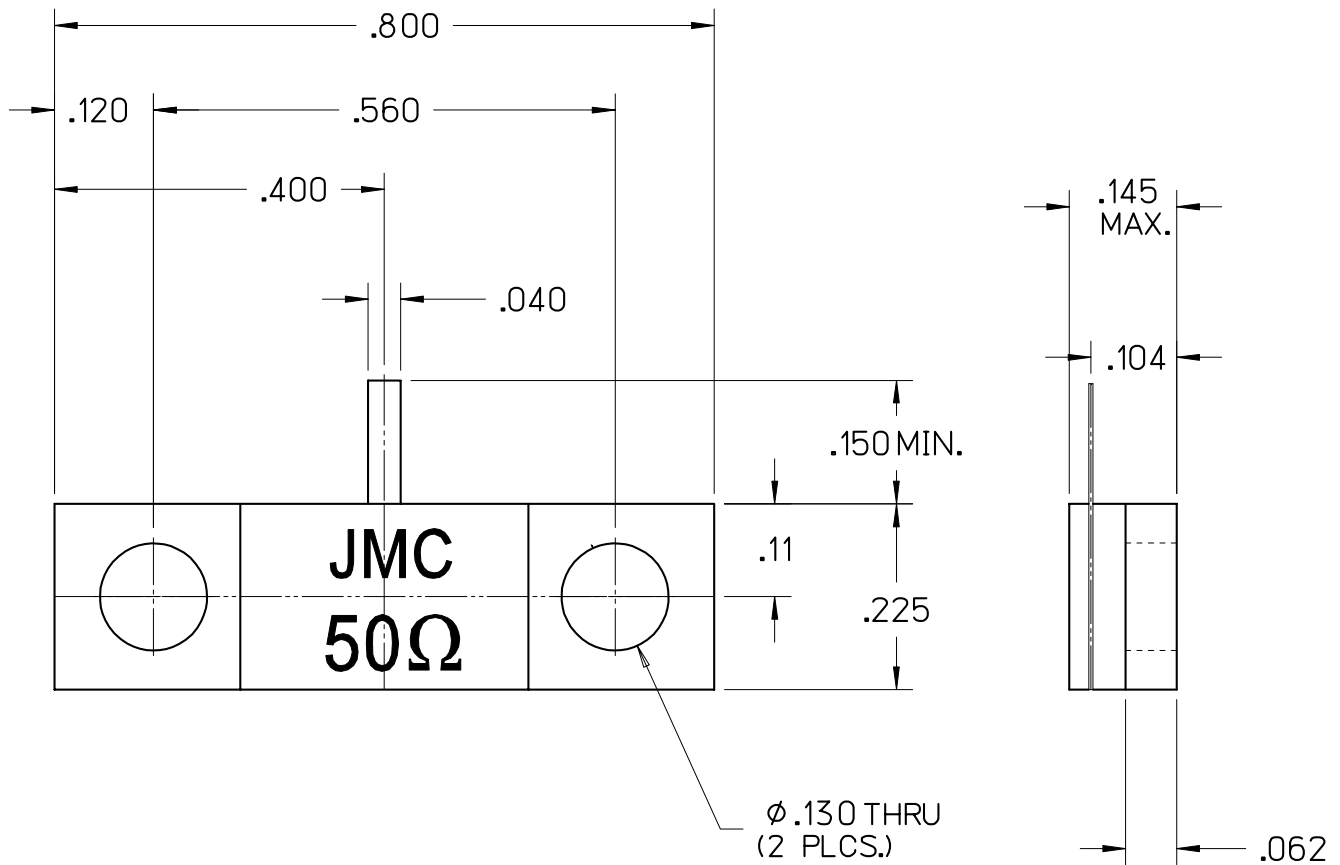


Johanson Manufacturing Corporation • 301 Rockaway Valley Road, Boonton, New Jersey 07005 • Phone 973.334.2676 • Fax 973.334.2954
STAY TUNED • ELECTRONIC ACCURACY THROUGH MECHANICAL PRECISION • WWW.JOHANSONMFG.COM



TF100AB04-030

AIN Flanged Termination



For detailed information regarding this product or sample request contact Johanson Sales



Johanson Manufacturing Corporation • 301 Rockaway Valley Road, Boonton, New Jersey 07005 • Phone 973.334.2676 • Fax 973.334.2954
STAY TUNED • ELECTRONIC ACCURACY THROUGH MECHANICAL PRECISION • WWW.JOHANSONMFG.COM