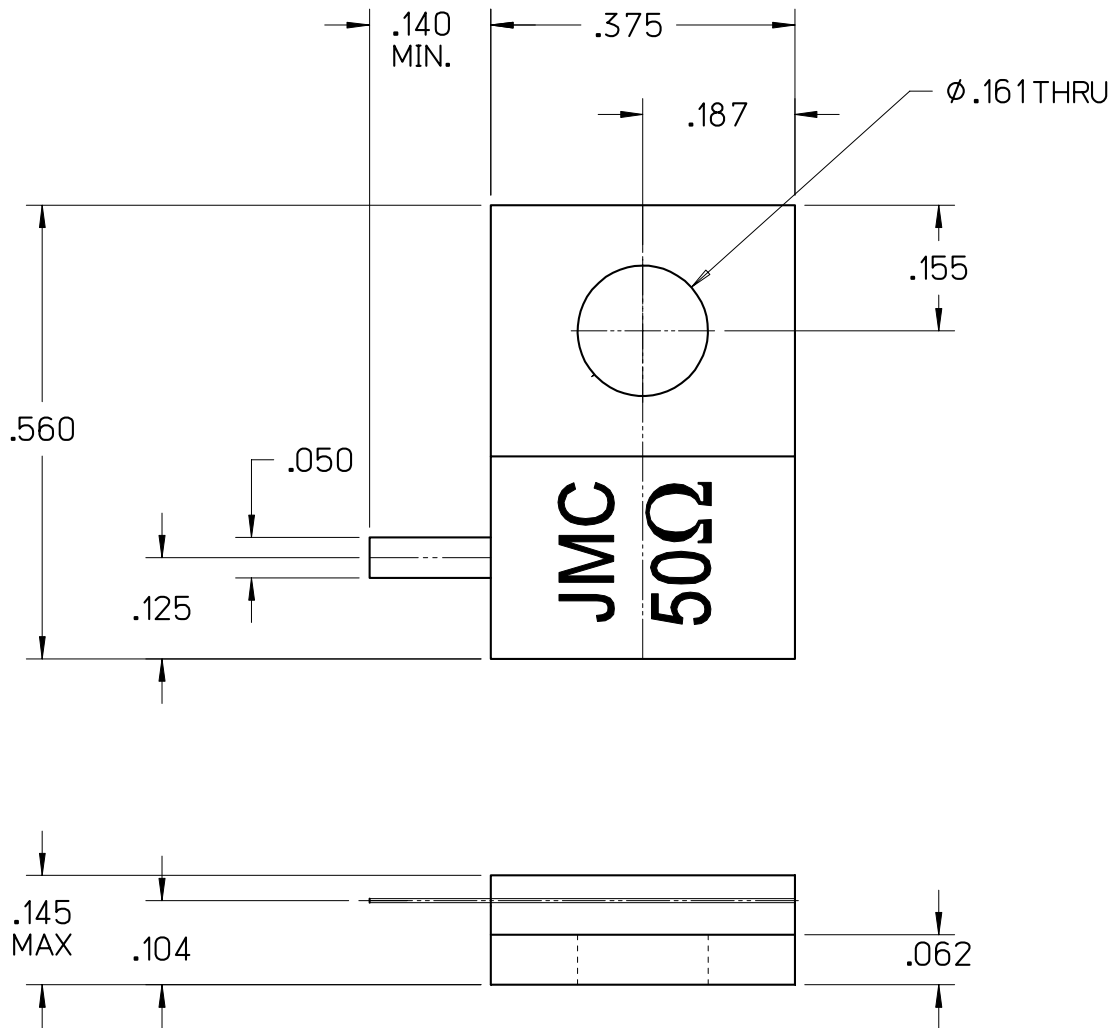




TF050AB6L

AlN Flanged Termination

Power: 50 Watts (CW)
Resistance: 50 $\Omega \pm 5\%$
Substrate: AlN



For detailed information regarding this product or sample request contact Johanson Sales



Johanson Manufacturing Corporation • 301 Rockaway Valley Road, Boonton, New Jersey 07005 • Phone 973.334.2676 • Fax 973.334.2954
STAY TUNED • ELECTRONIC ACCURACY THROUGH MECHANICAL PRECISION • WWW.JOHANSONMFG.COM