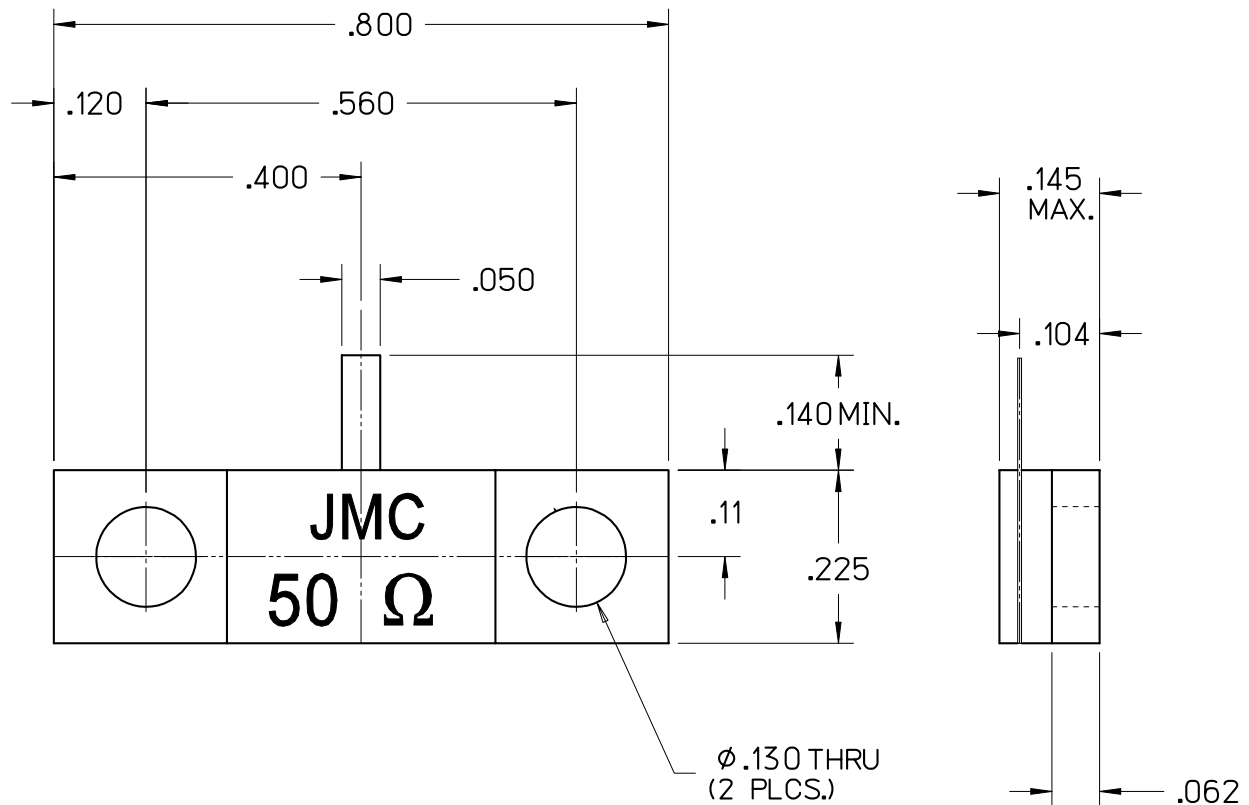




TF050AB04

AlN Flanged Termination

Power: 50 Watts (CW)  
Resistance: 50 Ω ± 5%  
Substrate: AlN



For detailed information regarding this product or sample request contact Johanson Sales



Johanson Manufacturing Corporation • 301 Rockaway Valley Road, Boonton, New Jersey 07005 • Phone 973.334.2676 • Fax 973.334.2954  
STAY TUNED • ELECTRONIC ACCURACY THROUGH MECHANICAL PRECISION • [WWW.JOHANSONMFG.COM](http://WWW.JOHANSONMFG.COM)

Nov 08