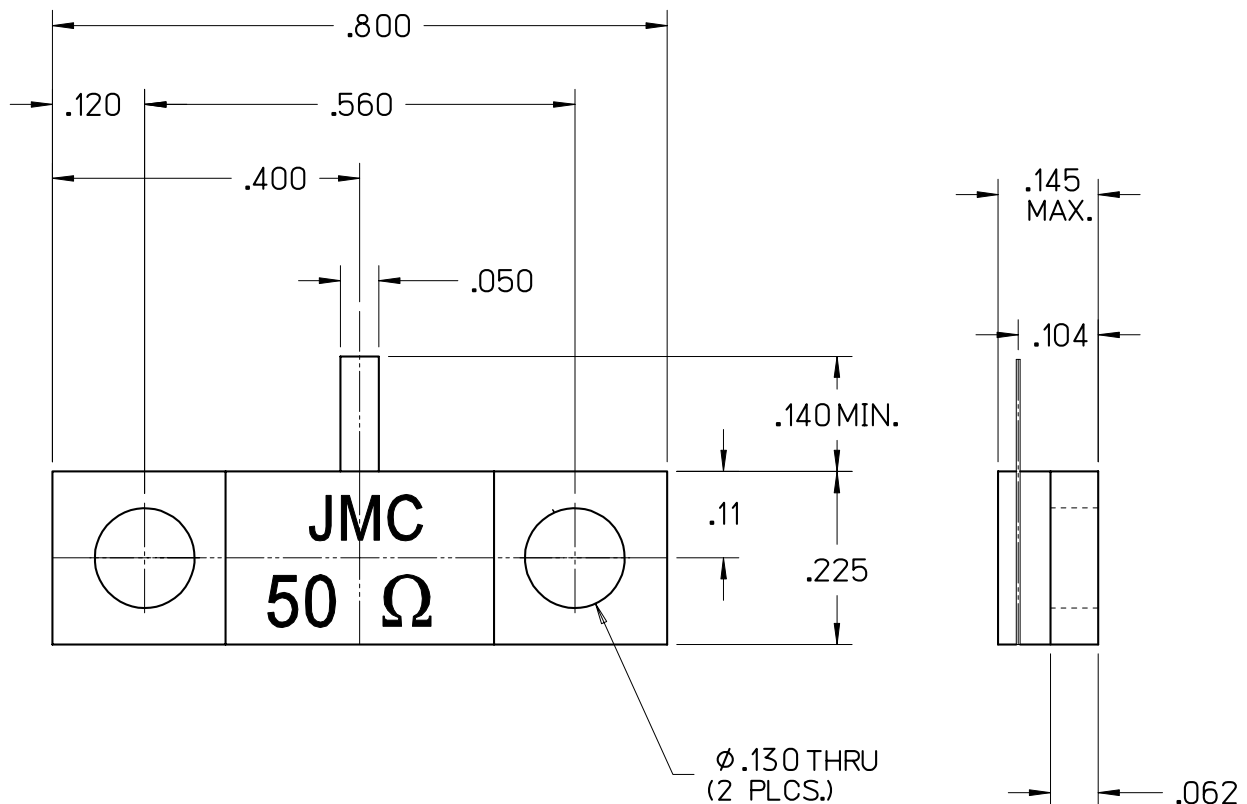


Power: 40 Watts (CW)
Resistance: 50 $\Omega \pm 5\%$
Substrate: BeO



CAUTION
THIS SUBSTRATE USES BERYLLIUM OXIDE
USE CARE WHEN HANDLING.
DO NOT SCRATCH OR ABRASIVE
TRIM IN OPEN AREA.

For detailed information regarding this product or sample request contact Johanson Sales