



TF010AB1R

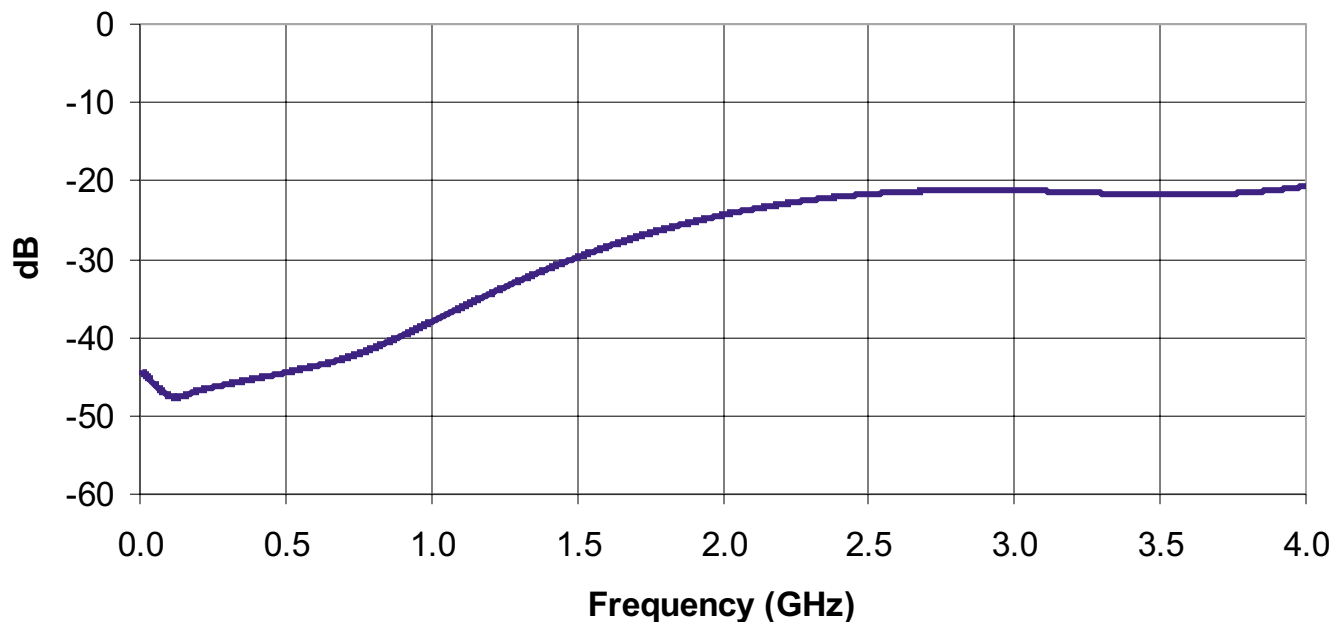
AIN Flanged Termination

Power: 10 Watts (CW)
Resistance: 50 $\Omega \pm 5\%$
VSWR: 1.25:1
Frequency Range: DC to 4 GHz
Substrate: AIN



TYPICAL PERFORMANCE

RETURN LOSS



For detailed information regarding this product or sample request contact Johanson Sales



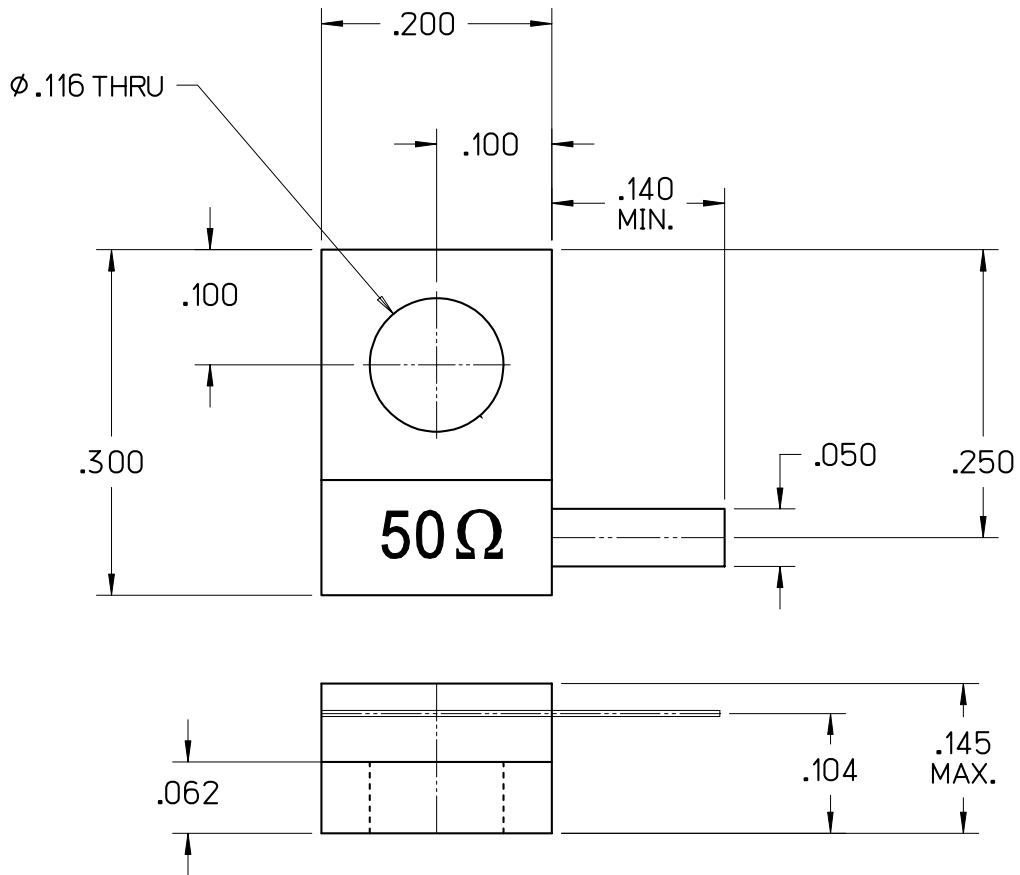
Johanson Manufacturing Corporation • 301 Rockaway Valley Road, Boonton, New Jersey 07005 • Phone 973.334.2676 • Fax 973.334.2954
STAY TUNED • ELECTRONIC ACCURACY THROUGH MECHANICAL PRECISION • WWW.JOHANSONMFG.COM

Nov 08



TF010AB1R

AIN Flanged Termination



For detailed information regarding this product or sample request contact Johanson Sales



Johanson Manufacturing Corporation • 301 Rockaway Valley Road, Boonton, New Jersey 07005 • Phone 973.334.2676 • Fax 973.334.2954
STAY TUNED • ELECTRONIC ACCURACY THROUGH MECHANICAL PRECISION • WWW.JOHANSONMFG.COM

Nov 08