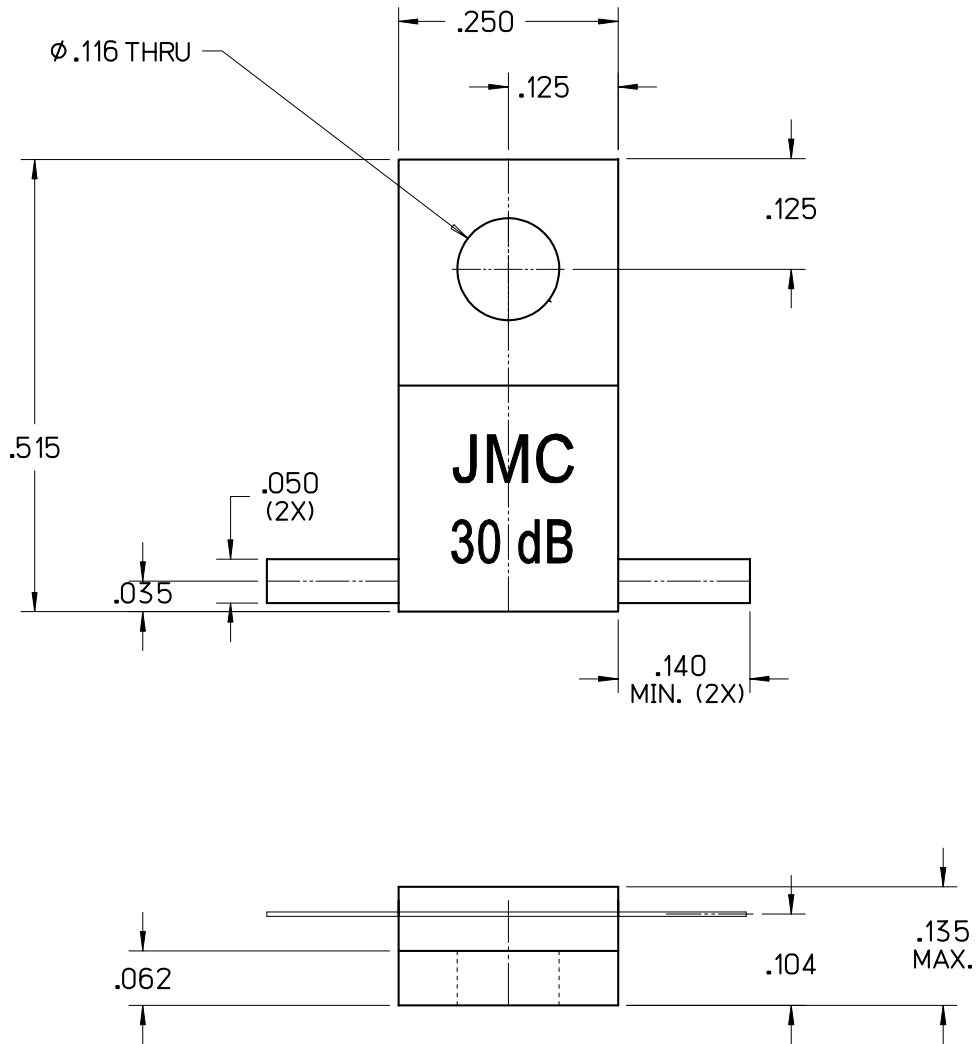




# AF030B0303A

## BeO Flange Attenuator

**Power:** 30 Watts (CW)  
**Attenuation:** 30 dB  $\pm$  0.5 dB  
**Substrate:** BeO



### CAUTION

THIS SUBSTRATE USES BERYLLIUM OXIDE  
USE CARE WHEN HANDLING.  
DO NOT SCRATCH OR ABRASIVE  
TRIM IN OPEN AREA.

For detailed information regarding this product or sample request contact Johanson Sales



Johanson Manufacturing Corporation • 301 Rockaway Valley Road, Boonton, New Jersey 07005 • Phone 973.334.2676 • Fax 973.334.2954  
STAY TUNED • ELECTRONIC ACCURACY THROUGH MECHANICAL PRECISION • [WWW.JOHANSONMFG.COM](http://WWW.JOHANSONMFG.COM)