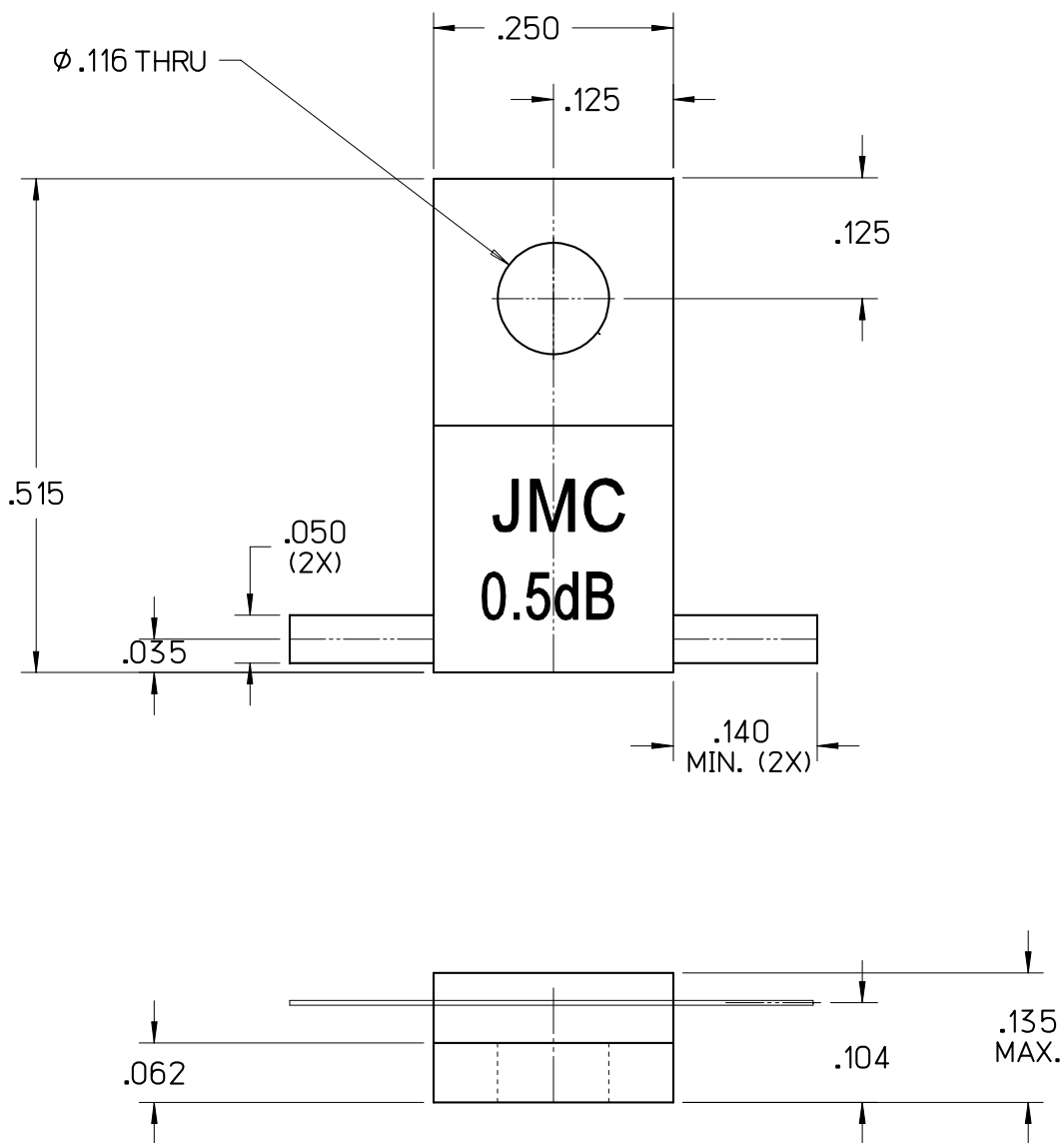




AF025A0R53A

AIN Flange Attenuator

Power: 25 Watts (CW)
Attenuation: 0.5 dB \pm 0.2 dB
Substrate: AIN



For detailed information regarding this product or sample request contact Johanson Sales



Johanson Manufacturing Corporation • 301 Rockaway Valley Road, Boonton, New Jersey 07005 • Phone 973.334.2676 • Fax 973.334.2954
STAY TUNED • ELECTRONIC ACCURACY THROUGH MECHANICAL PRECISION • WWW.JOHANSONMFG.COM