

PATENT PENDING

TUNING SLOT

PRELIMINARY

MI DRG. NO.

JLCXXEYYYTRVSM

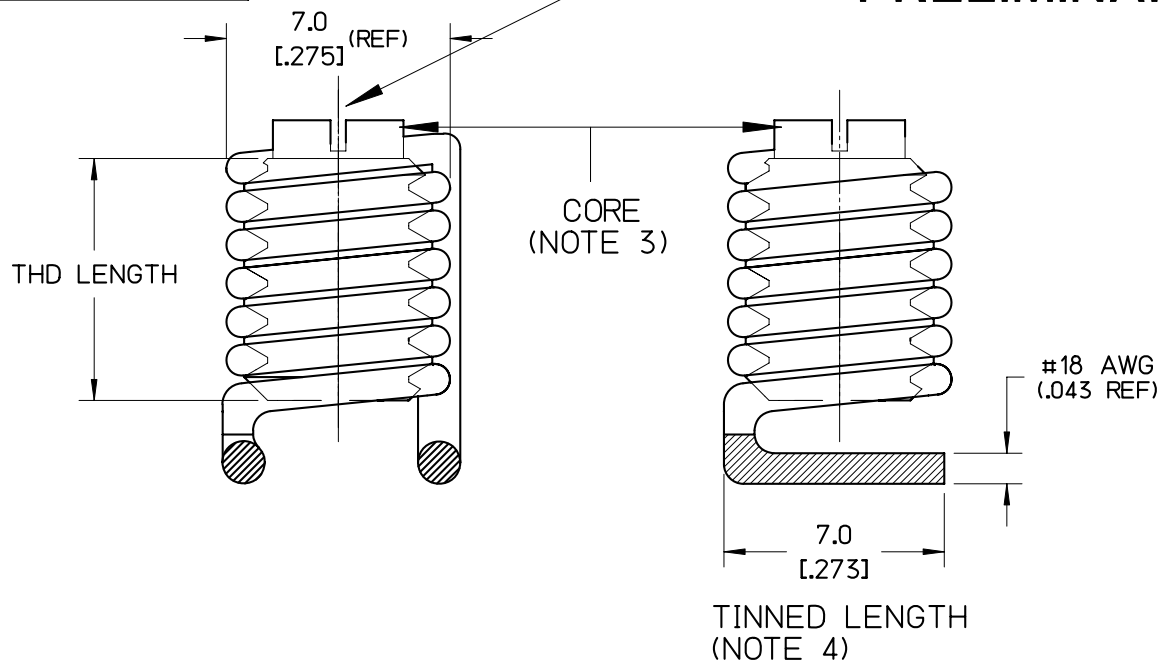
REV.

JLCXXEYYYTRVSM

A

VARIABLE INDUCTOR COIL  
VERTICAL-SURFACE MOUNT  
(NONMAGNETIC)

FILE: AIROUT



NOTES:

1. a. DIMENSIONS: mm  
b. DIMENSIONS: (inches) FOR REFERENCE ONLY
2. COIL :  
a. MATERIAL:  
COPPER ALLOY (COATED)  
b. TEMP RANGE: UP TO 200°C
3. CORE :  
a. MATERIAL:  
PTFE / COPPER ALLOY  
b. SELF-RESONANT FREQUENCY (SRF) IS MEASURED WITH THE CORE) FULLY ENGAGED AS DEPICTED  
c. L MIN MEASURED WITH CORE ENGAGING FULL WINDINGS. L MAX MEASURED WITH CORE ENGAGING A SINGLE TURN.
4. TINNING :  
a. MATERIAL:  
RoHS COMPLIANT "SAC" ALLOY

JMC P/N	L (nH)				Q (@ 100 MHz)	SRF (GHz)	TURNS	THD LGTH mm (in)
	MIN	NOM	MAX	NO CORE				
JLC02E030TRVSM	32	33	34	39	90	1.2	2	6(.236)
JLC03E048TRVSM	46	49	52	59	95	1.0	3	6(.236)
JLC04E065TRVSM	60	64	68	78	101	0.9	4	6(.236)
JLC05E088TRVSM	74	81	87	99	114	0.9	5	8(.315)
JLC06E110TRVSM	94	107	119	123	119	0.7	6	8(.315)
JLC07E130TRVSM	104	118	133	142	121	0.7	7	10(.394)

READINGS TAKEN ON AGILENT/8358-A METER.

A	02/11/10	SAF			000
LEVEL	DATE	DRN.	CHK.	APP.	ECN

REVISIONS

DRN.	CHK.	APP.	SCALE
SAF			NONE
DATE	DATE	DATE	.XX ± .762
02/11/10			.XXX ± .254



**JOHANSON MANUFACTURING CORPORATION**  
ROCKAWAY VALLEY ROAD, BOONTON, N.J. 07005 (973)334-2676 FAX (973)334-2954  
ELECTRONIC ACCURACY THROUGH MECHANICAL PRECISION

PROPRIETARY INFORMATION CONTAINED NOT TO BE USED WITHOUT JOHANSON MANUFACTURING CORPORATION APPROVAL