

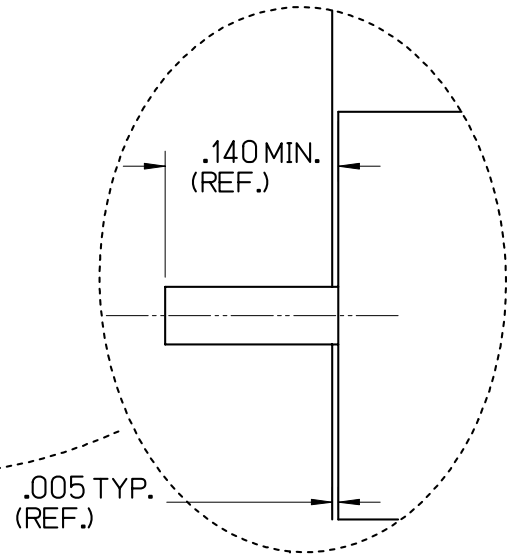
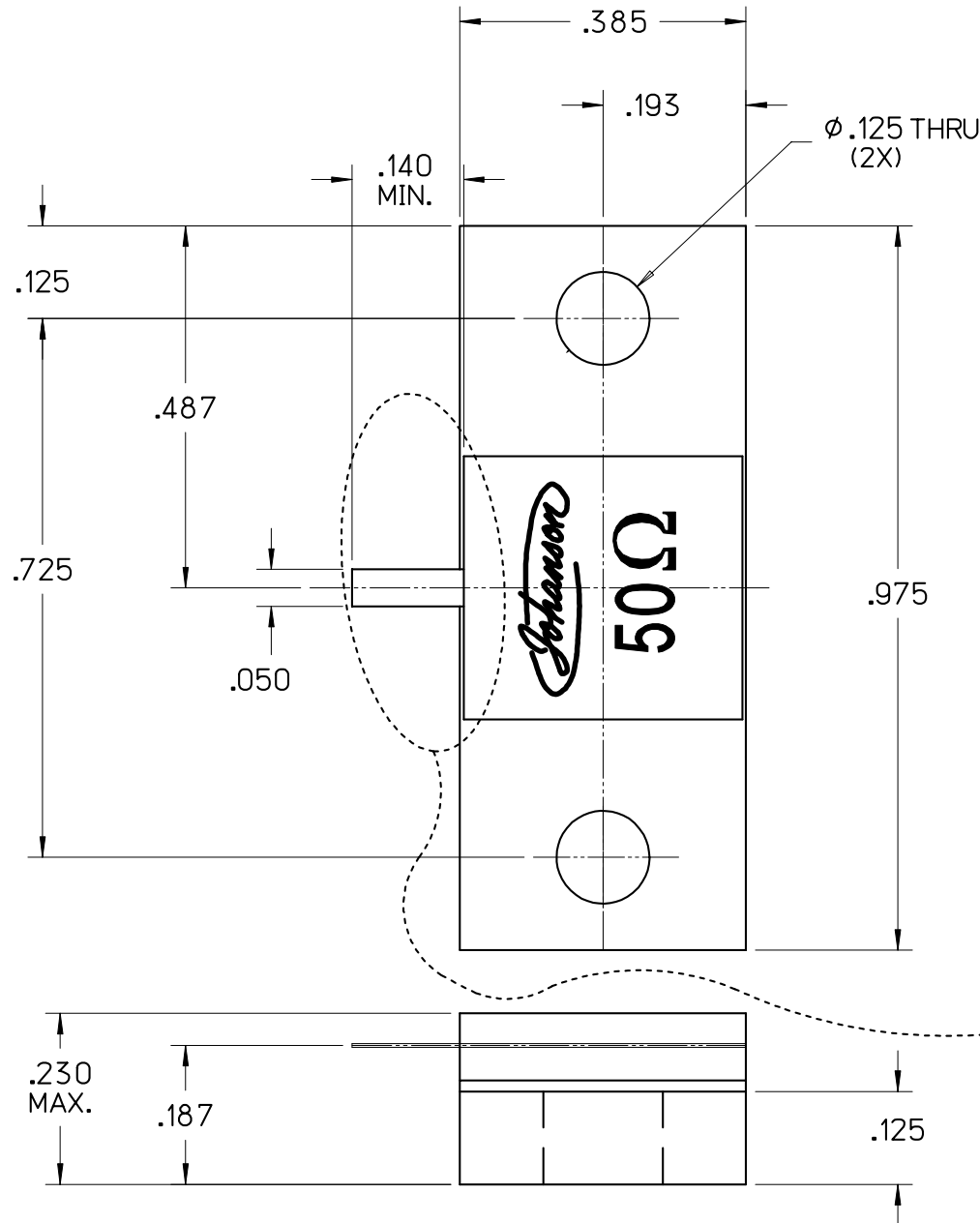
TF250BB12-100 B

HIGH POWER BeO TERMINATION

SPECIFICATIONS		FILE: TERMOUT
POWER MAX (WATTS):	250	CW
RESISTANCE	50	OHMS (±5%)

CAUTION

THIS SUBSTRATE USES BERYLLIUM OXIDE
 USE CARE WHEN HANDLING.
 DO NOT SCRATCH OR ABRASIVE
 TRIM IN OPEN AREA.



B	02/15/08	MLD	MAI	MAI	000646
A	03/01/07	MLD	-	-	000512
LEVEL	DATE	DRN.	CHK.	APP.	ECN

REVISIONS

DRN.	CHK.	APP.	SCALE
MLD	MAI	MAI	4" = 1"
DATE	DATE	DATE	.XX ± .015
03/01/07	03/19/07	03/19/07	.XXX ± .010



JOHANSON MANUFACTURING CORPORATION
 ROCKAWAY VALLEY ROAD, BOONTON, N.J. 07005 (973)334-2676 FAX (973)334-2954
 ELECTRONIC ACCURACY THROUGH MECHANICAL PRECISION