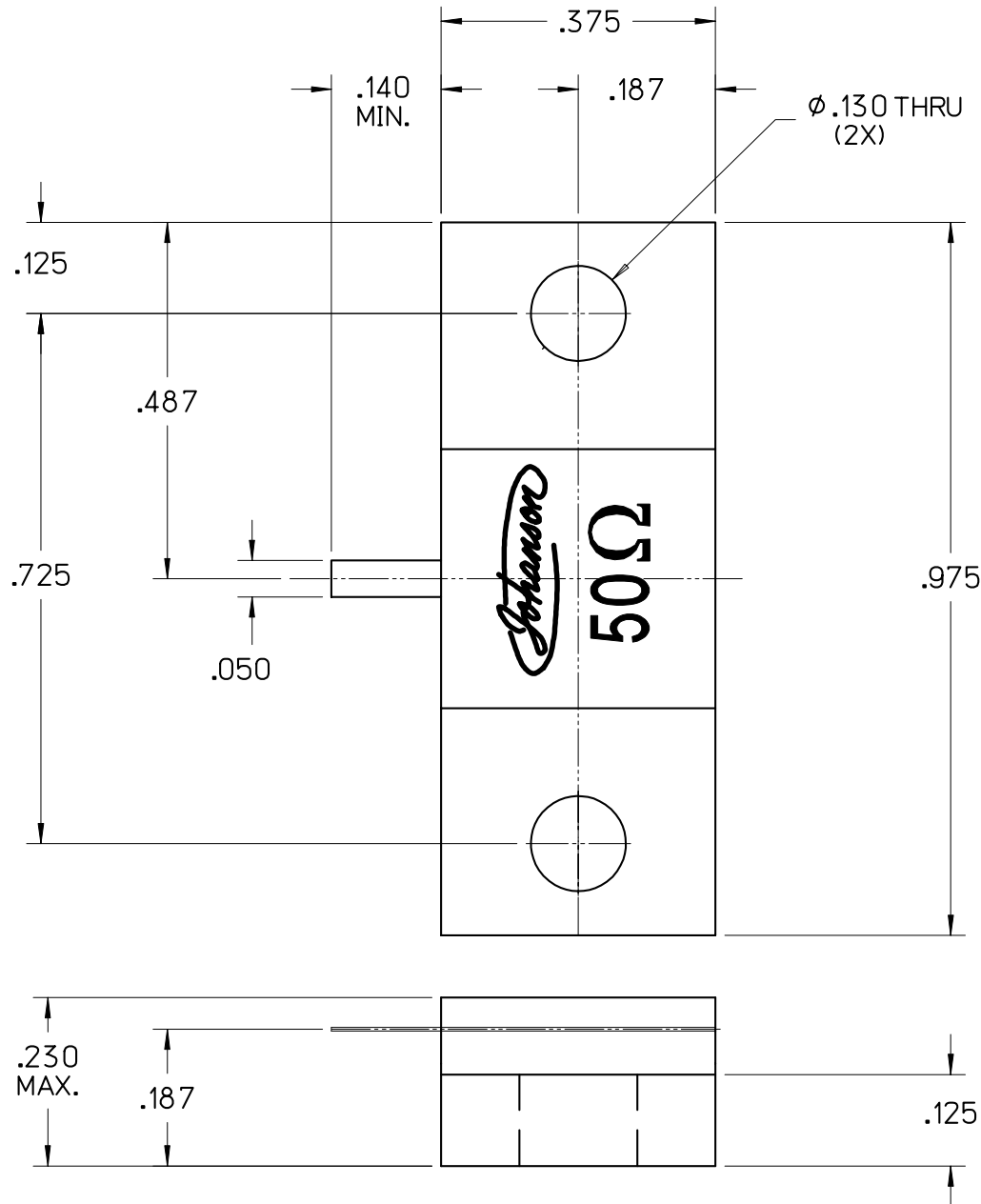


TF250AB12 D

HIGH POWER ALN TERMINATION

SPECIFICATIONS		FILE: TERMOUT
POWER MAX (WATTS):	250 CW	
RESISTANCE	50 OHMS (±5%)	



LEVEL	DATE	DRN.	CHK.	APP.	ECN
D	01/17/09	MAI	MAI	MAI	000747
C	02/15/08	MLD	MAI	MAI	000646
B	10/18/06	MLD	MAI	MAI	000457
A	07/25/06	MLD	-	-	000419

REVISIONS

DRN.	CHK.	APP.	SCALE
MLD	MAI	MAI	4" = 1"
DATE	DATE	DATE	.XX ± .015
07/25/06	07/26/06	07/26/06	.XXX ± .010



JOHANSON MANUFACTURING CORPORATION
 ROCKAWAY VALLEY ROAD, BOONTON, N.J. 07005 (973)334-2676 FAX (973)334-2954
 ELECTRONIC ACCURACY THROUGH MECHANICAL PRECISION