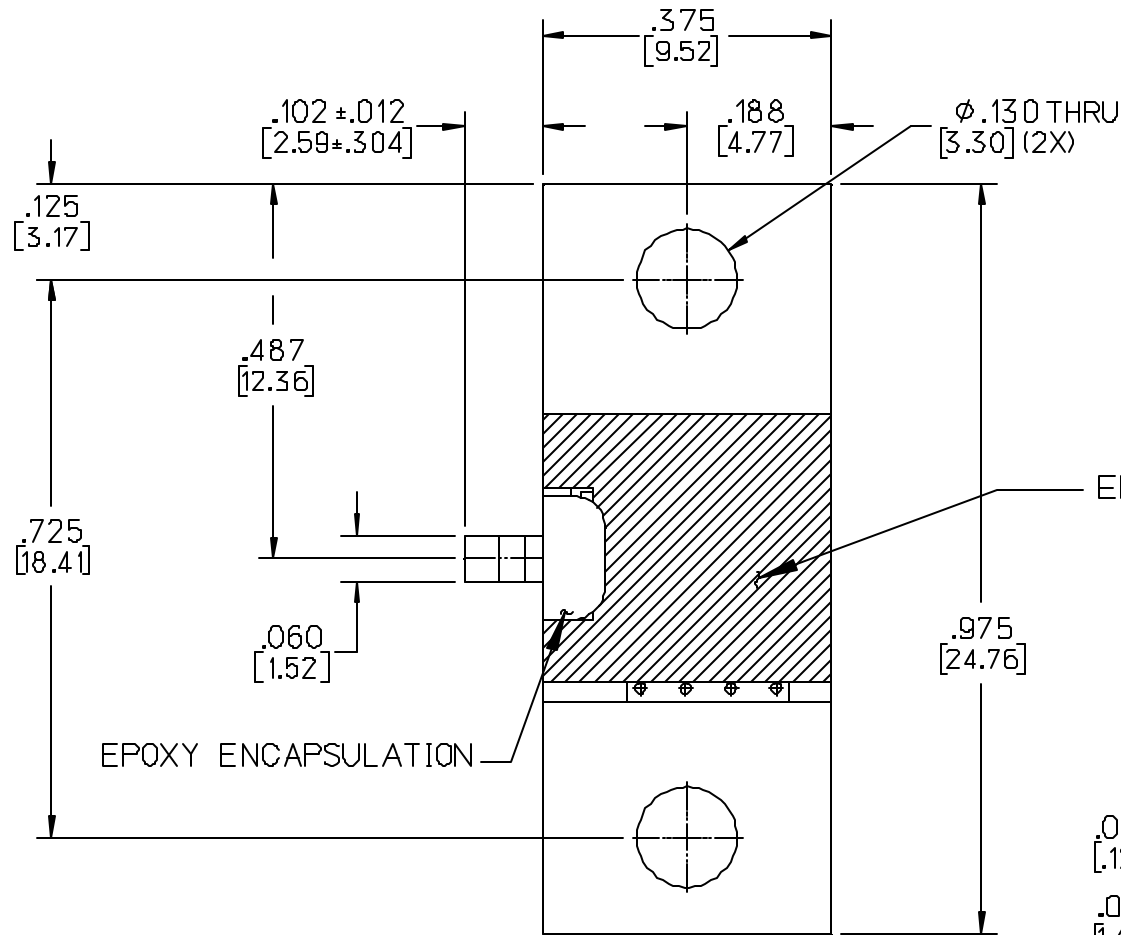


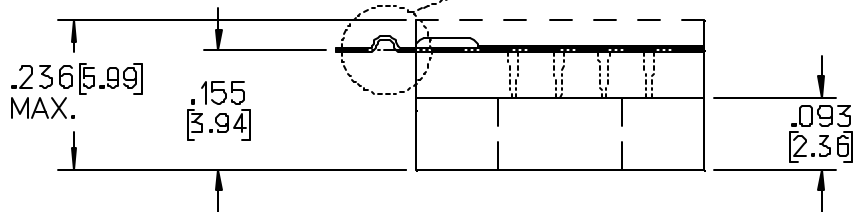
TF250AB12-481

A

HIGH POWER ALN TERMINATION



SPECIFICATIONS		FILE TERMOUT
POWER MAX (WATTS):		250 CW
RESISTANCE		50 OHMS ± 5%
FREQUENCY		VSWR
DC - 2300MHz		1.10 : 1
DIMENSIONS IN BRACKETS INDICATE [mm]		



LEVEL	DATE	DRN.	CHK.	APP.	ECN
A	11/26/08	SDJ	-	-	000738

REVISIONS

DRN.	CHK.	APP.	SCALE
SDJ	SDJ	MAI	4' - 1'
DATE	DATE	DATE	.XX ± .015
11/26/08	12/05/08	12/08/08	.XXX ± .010



JOHANSON MANUFACTURING CORPORATION

ROCKAWAY VALLEY ROAD, BOONTON, N.J. 07005 (973)534-2676 FAX (973)534-2954
ELECTRONIC ACCURACY THROUGH MECHANICAL PRECISION