

MI DRG. NO.

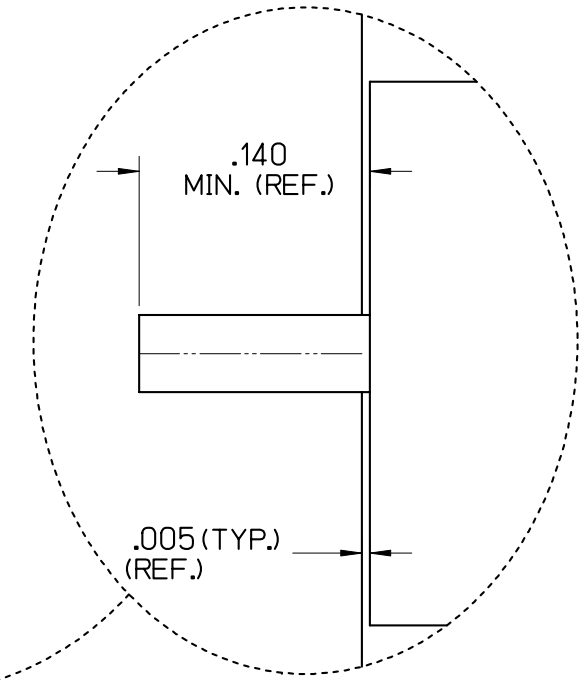
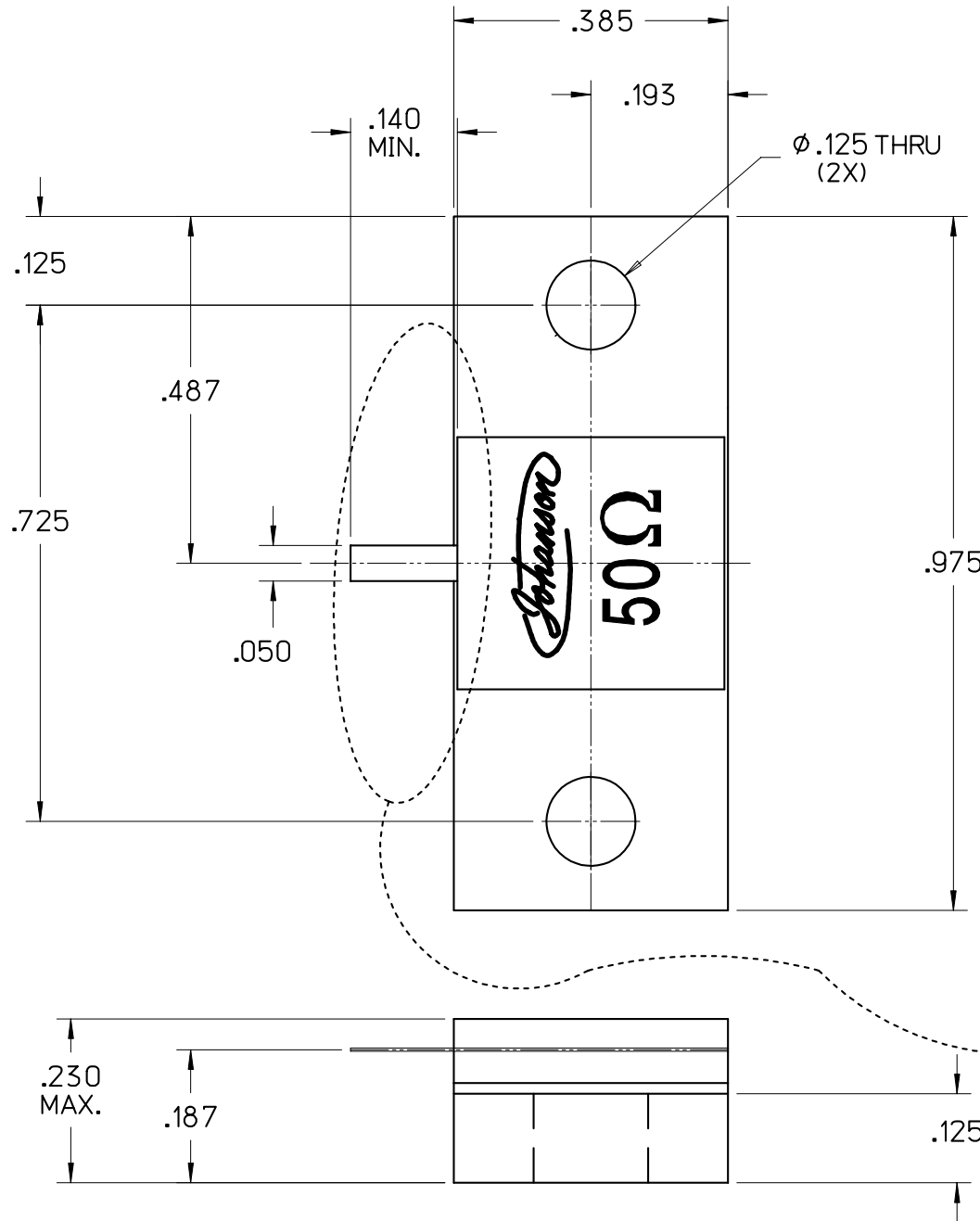
TF250AB12-100B

REV.

TF250AB12-100 B

HIGH POWER ALN TERMINATION

SPECIFICATIONS		FILE: TERMOUT
POWER MAX (WATTS):	250 CW	
RESISTANCE	50 OHMS (±5%)	



LEVEL	DATE	DRN.	CHK.	APP.	ECN
B	02/15/08	MLD	MAI	MAI	000646
A	03/01/07	MLD	-	-	000512

REVISIONS

DRN.	CHK.	APP.	SCALE
MLD	MAI	MAI	4" = 1"
DATE	DATE	DATE	.XX ± .015 .XXX ± .010
03/01/07	03/19/07	03/19/07	



JOHANSON MANUFACTURING CORPORATION
 ROCKAWAY VALLEY ROAD, BOONTON, N.J. 07005 (973)334-2676 FAX (973)334-2954
 ELECTRONIC ACCURACY THROUGH MECHANICAL PRECISION

PROPRIETARY INFORMATION CONTAINED NOT TO BE USED WITHOUT JOHANSON MANUFACTURING CORPORATION APPROVAL