

MI DRG. NO.

TF250AB12-040A

REV.

TF250AB12-040

A

HIGH POWER ALN TERMINATION

SPECIFICATIONS

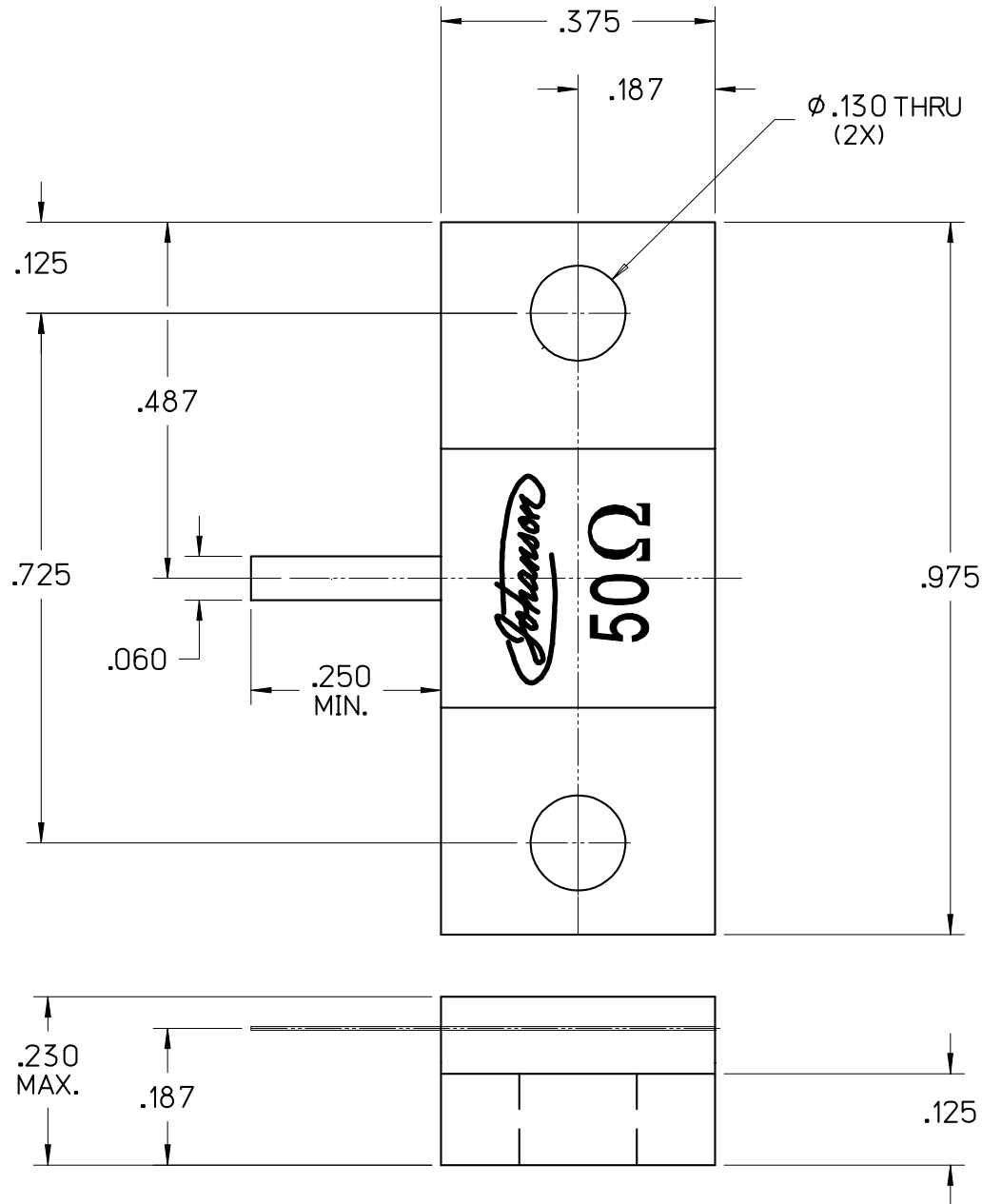
FILE: TERMOUT

POWER MAX
(WATTS):

250 CW

RESISTANCE

50 OHMS (±5%)



A	01/17/09	MAI	-	-	000747
LEVEL	DATE	DRN.	CHK.	APP.	ECN

REVISIONS

DRN.	CHK.	APP.	SCALE
MAI	MAI	MAI	4" = 1"
DATE	DATE	DATE	.XX ± .015
01/17/09	01/17/09	01/17/09	.XXX ± .010



JOHANSON MANUFACTURING CORPORATION
 ROCKAWAY VALLEY ROAD, BOONTON, N.J. 07005 (973)334-2676 FAX (973)334-2954
 ELECTRONIC ACCURACY THROUGH MECHANICAL PRECISION

PROPRIETARY INFORMATION CONTAINED NOT TO BE USED WITHOUT JOHANSON MANUFACTURING CORPORATION APPROVAL