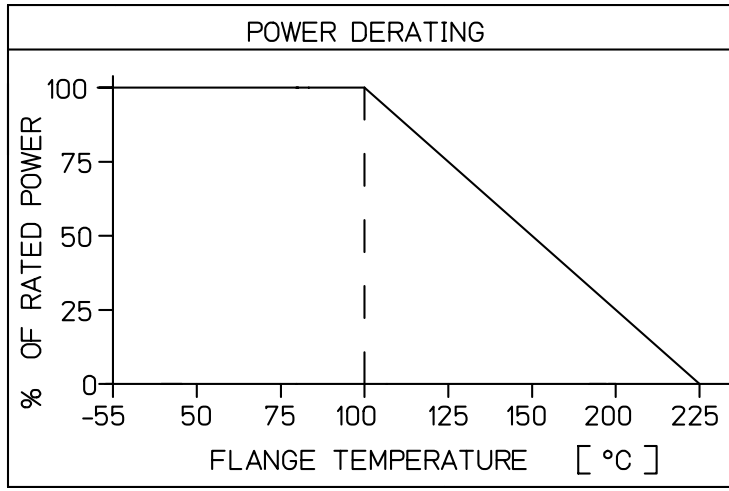
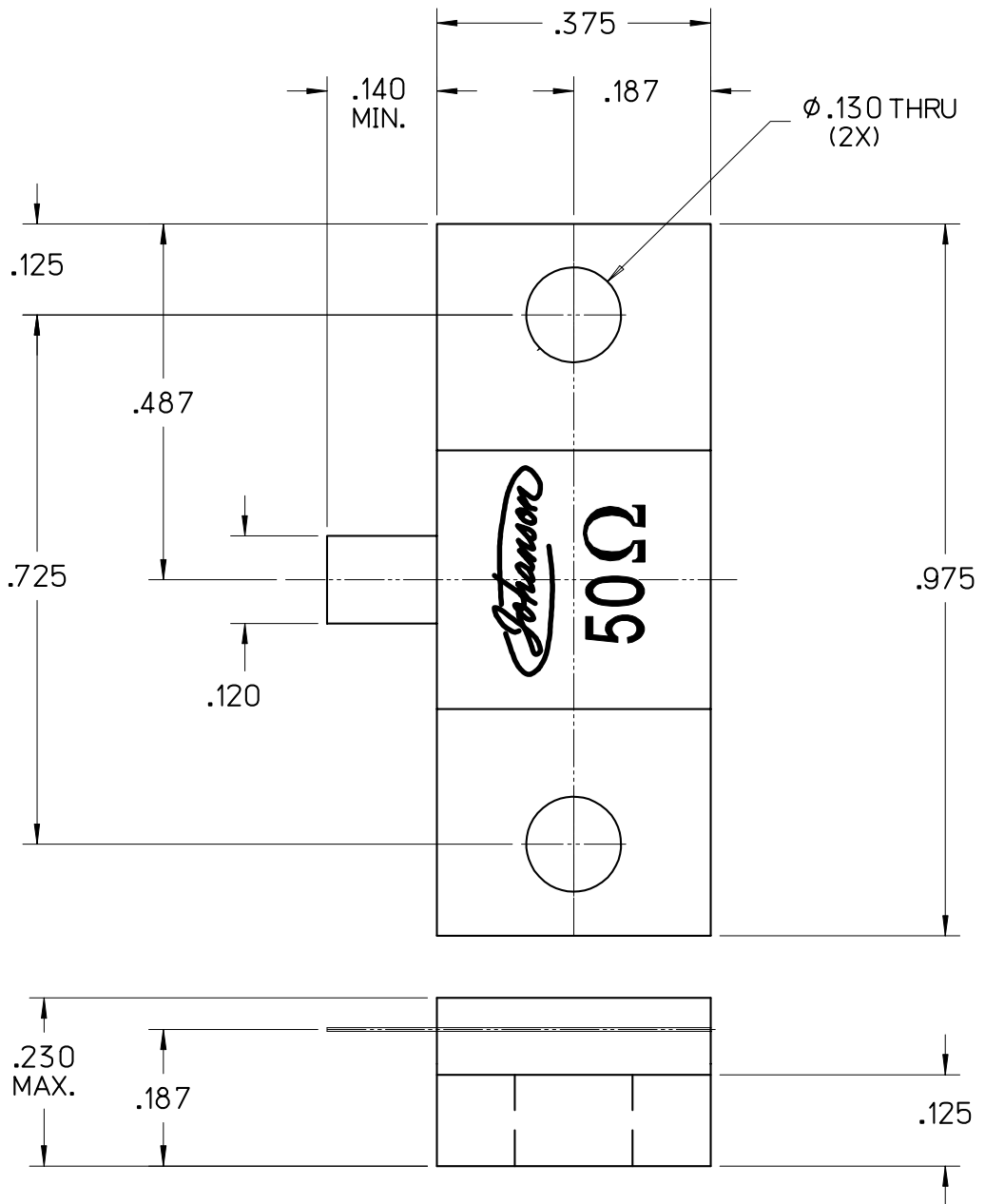


TF250AB12-027 B

**HIGH POWER ALN TERMINATION
OPTIMIZED FOR DC-900MHz**

SPECIFICATIONS		FILE: TERMOUT
POWER MAX (WATTS):	250 CW	
RESISTANCE	50 OHMS (±5%)	
VSWR	<1.05:1 DC-900MHz	
RoHS COMPLIANT (BeO FREE)		



LEVEL	DATE	DRN.	CHK.	APP.	ECN
B	01/17/09	MAI	MAI	MAI	000747
A	04/03/08	MLD	-	-	000658

REVISIONS				
DRN.	CHK.	APP.	SCALE	
MLD	MAI	MAI	4" = 1"	
DATE	DATE	DATE	.XX ± .015	
04/03/08	04/03/08	04/03/08	.XXX ± .010	



JOHANSON MANUFACTURING CORPORATION
 ROCKAWAY VALLEY ROAD, BOONTON, N.J. 07005 (973)334-2676 FAX (973)334-2954
 ELECTRONIC ACCURACY THROUGH MECHANICAL PRECISION