

MI DRG. NO.

TF200AB12D

REV.

TF200AB12 D

HIGH POWER ALN TERMINATION

SPECIFICATIONS

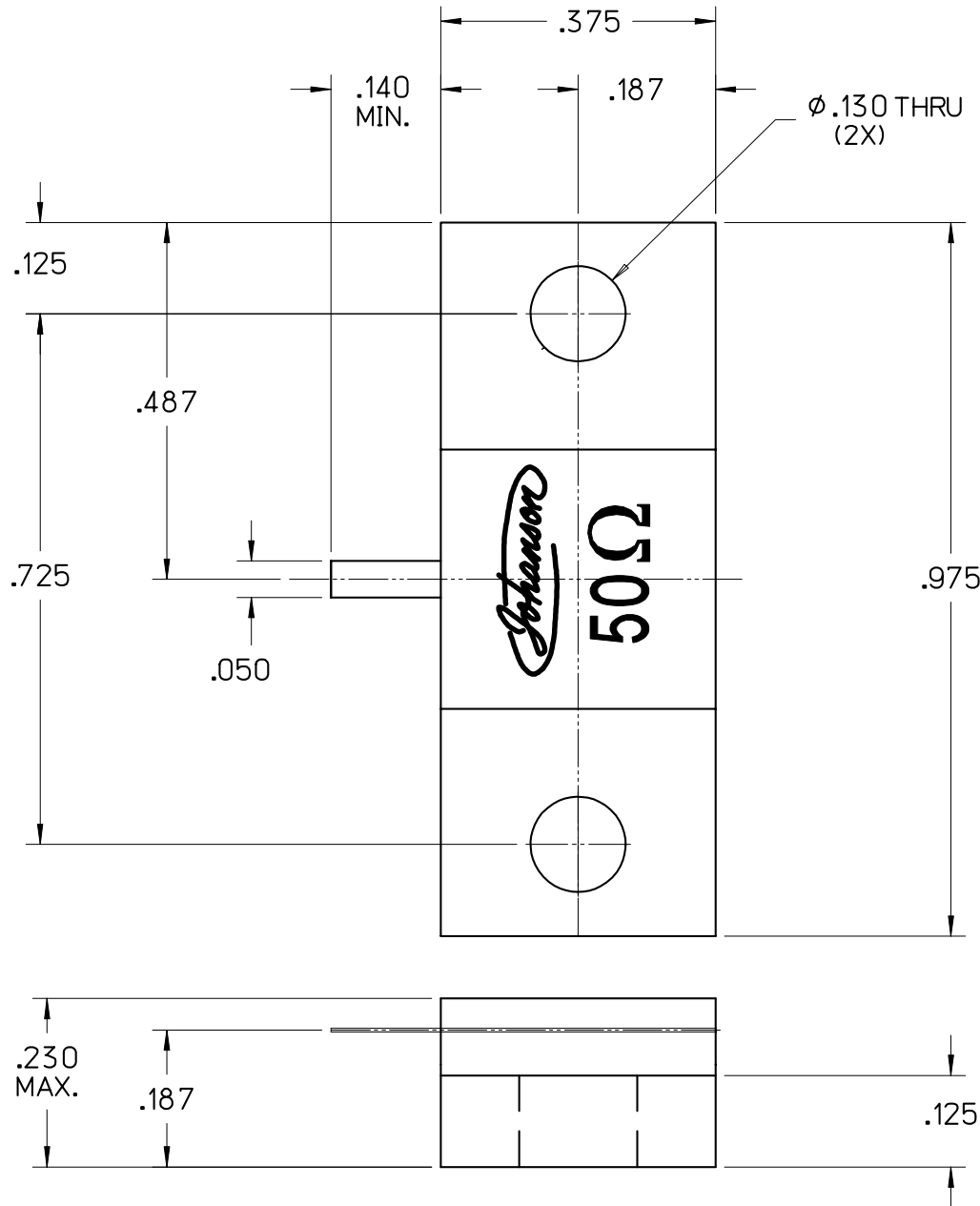
FILE: TERMOUT

POWER MAX
(WATTS):

200 CW

RESISTANCE

50 OHMS (±5%)



LEVEL	DATE	DRN.	CHK.	APP.	ECN
D	01/17/09	MAI	MAI	MAI	000747
C	02/15/08	MLD	MAI	MAI	000646
B	10/18/06	MLD	MAI	MAI	000457
A	06/02/06	MLD	-	-	000409

REVISIONS

DRN.	CHK.	APP.	SCALE
MLD	MAI	MAI	4" = 1"
DATE	DATE	DATE	.XX ± .015
06/02/06	07/14/06	07/14/06	.XXX ± .010



JOHANSON MANUFACTURING CORPORATION
 ROCKAWAY VALLEY ROAD, BOONTON, N.J. 07005 (973)334-2676 FAX (973)334-2954
 ELECTRONIC ACCURACY THROUGH MECHANICAL PRECISION

PROPRIETARY INFORMATION CONTAINED NOT TO BE USED WITHOUT JOHANSON MANUFACTURING CORPORATION APPROVAL