

MI DRG. NO.

TF125AB10B

REV.

TF125AB10

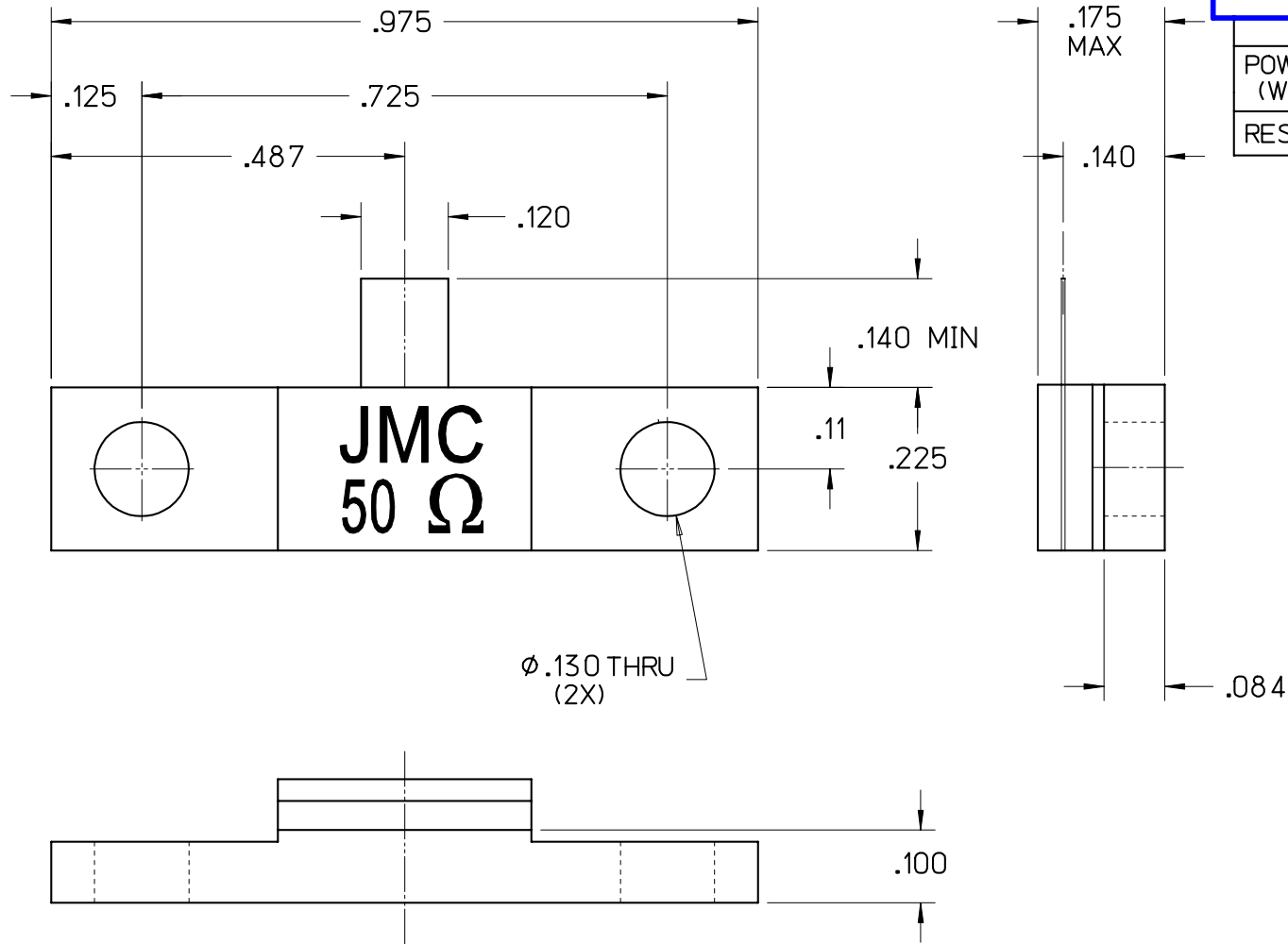
B

HIGH POWER ALN TERMINATION (A125B-T10)

SPECIFICATIONS

FILE: TERMOUT

POWER MAX (WATTS):	125 CW
RESISTANCE	50 OHMS (±5%)



B	10/18/06	MLD	MAI	MAI	000457
A	06/01/06	MLD	-	-	000409
LEVEL	DATE	DRN.	CHK.	APP.	ECN

REVISIONS

DRN.	CHK.	APP.	SCALE
MLD	MAI	MAI	4" = 1"
DATE	DATE	DATE	.XX ± .015
06/01/06	07/14/06	07/14/06	.XXX ± .010



JOHANSON MANUFACTURING CORPORATION
 ROCKAWAY VALLEY ROAD, BOONTON, N.J. 07005 (973)334-2676 FAX (973)334-2954
 ELECTRONIC ACCURACY THROUGH MECHANICAL PRECISION

PROPRIETARY INFORMATION CONTAINED NOT TO BE USED WITHOUT JOHANSON MANUFACTURING CORPORATION APPROVAL