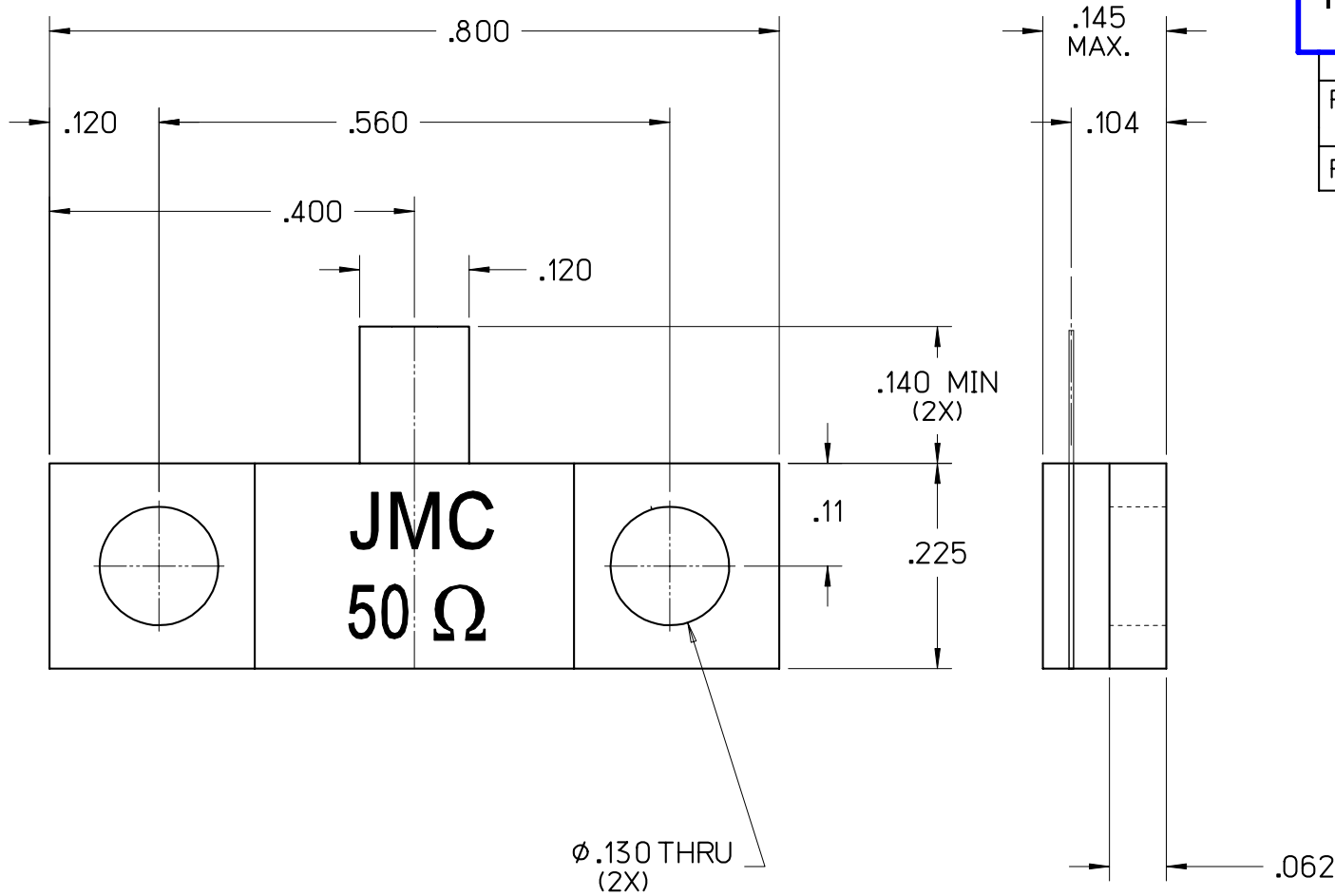


# TF125AB09 D

## HIGH POWER ALN TERMINATION (A125B-T9)

SPECIFICATIONS | FILE: TERMOUT

POWER MAX (WATTS):	125 CW
RESISTANCE	50 OHMS (±5%)



D	10/30/07	MLD	MAI	MAI	000607
C	10/18/06	MLD	MAI	MAI	000457
B	09/07/06	MLD	MAI	MAI	000438
A	07/26/06	MLD	-	-	000420
LEVEL	DATE	DRN.	CHK.	APP.	ECN

REVISIONS

DRN.	CHK.	APP.	SCALE
MLD	MAI	MAI	5" = 1"
DATE	DATE	DATE	.XX ± .015
07/26/06	07/27/06	07/27/06	.XXX ± .010



**JOHANSON MANUFACTURING CORPORATION**  
 ROCKAWAY VALLEY ROAD, BOONTON, N.J. 07005 (973)334-2676 FAX (973)334-2954  
 ELECTRONIC ACCURACY THROUGH MECHANICAL PRECISION