

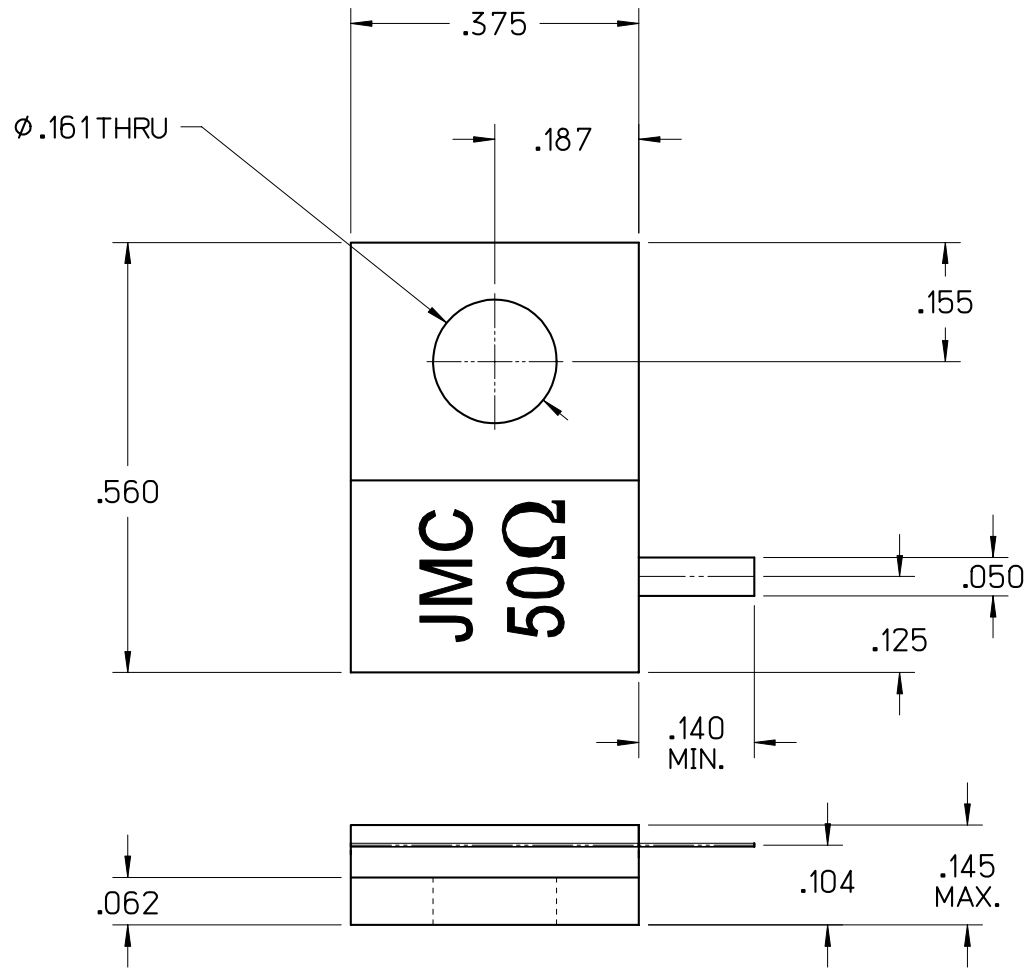
MI DRG. NO.

TF050BB6RD

REV.

# TF050BB6R D

## HIGH POWER BeO TERMINATION (B50B-T6R)



SPECIFICATIONS

FILE: TERMOUT

POWER MAX (WATTS):	50 CW
RESISTANCE	50 OHMS (±5%)

### CAUTION

THIS SUBSTRATE USES BERYLLIUM OXIDE  
USE CARE WHEN HANDLING.  
DO NOT SCRATCH OR ABRASIVE  
TRIM IN OPEN AREA.

D	10/30/07	MLD	MAI	MAI	000607
C	03/23/07	MLD	MAI	MAI	000523
B	10/17/06	MLD	MAI	MAI	000457
A	05/31/06	MLD	-	-	000409
LEVEL	DATE	DRN.	CHK.	APP.	ECN

REVISIONS

DRN.	CHK.	APP.	SCALE
MLD	MAI	MAI	4" = 1"
DATE	DATE	DATE	.XX ± .015
05/31/06	07/14/06	07/14/06	.XXX ± .010



**JOHANSON MANUFACTURING CORPORATION**  
ROCKAWAY VALLEY ROAD, BOONTON, N.J. 07005 (973)334-2676 FAX (973)334-2954  
ELECTRONIC ACCURACY THROUGH MECHANICAL PRECISION

PROPRIETARY INFORMATION CONTAINED NOT TO BE USED WITHOUT JOHANSON MANUFACTURING CORPORATION APPROVAL