

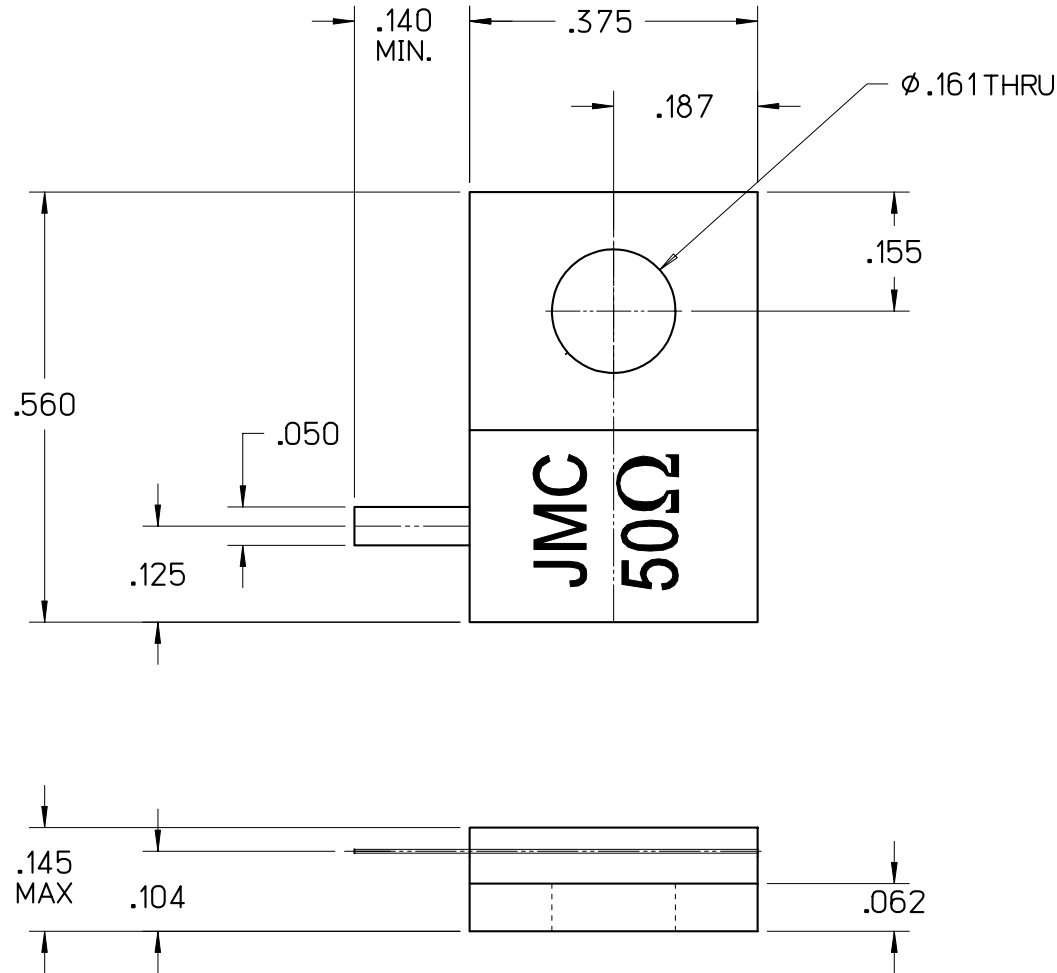
MI DRG. NO.

TF050AB6LC

REV.

TF050AB6L C

HIGH POWER ALN TERMINATION (A50B-T6L)



SPECIFICATIONS		FILE: TERMOUT
POWER MAX (WATTS):	50 CW	
RESISTANCE	50 OHMS (±5%)	

LEVEL	DATE	DRN.	CHK.	APP.	ECN
C	10/30/07	MLD	MAI	MAI	000607
B	10/17/06	MLD	MAI	MAI	000457
A	05/22/06	MLD	-	-	000409

REVISIONS

DRN.	CHK.	APP.	SCALE
MLD	MAI	MAI	4' = 1"
DATE	DATE	DATE	.XX ± .015 .XXX ± .010
05/22/06	07/18/06	07/18/06	



JOHANSON MANUFACTURING CORPORATION
 ROCKAWAY VALLEY ROAD, BOONTON, N.J. 07005 (973)334-2676 FAX (973)334-2954
 ELECTRONIC ACCURACY THROUGH MECHANICAL PRECISION

PROPRIETARY INFORMATION CONTAINED NOT TO BE USED WITHOUT JOHANSON MANUFACTURING CORPORATION APPROVAL