

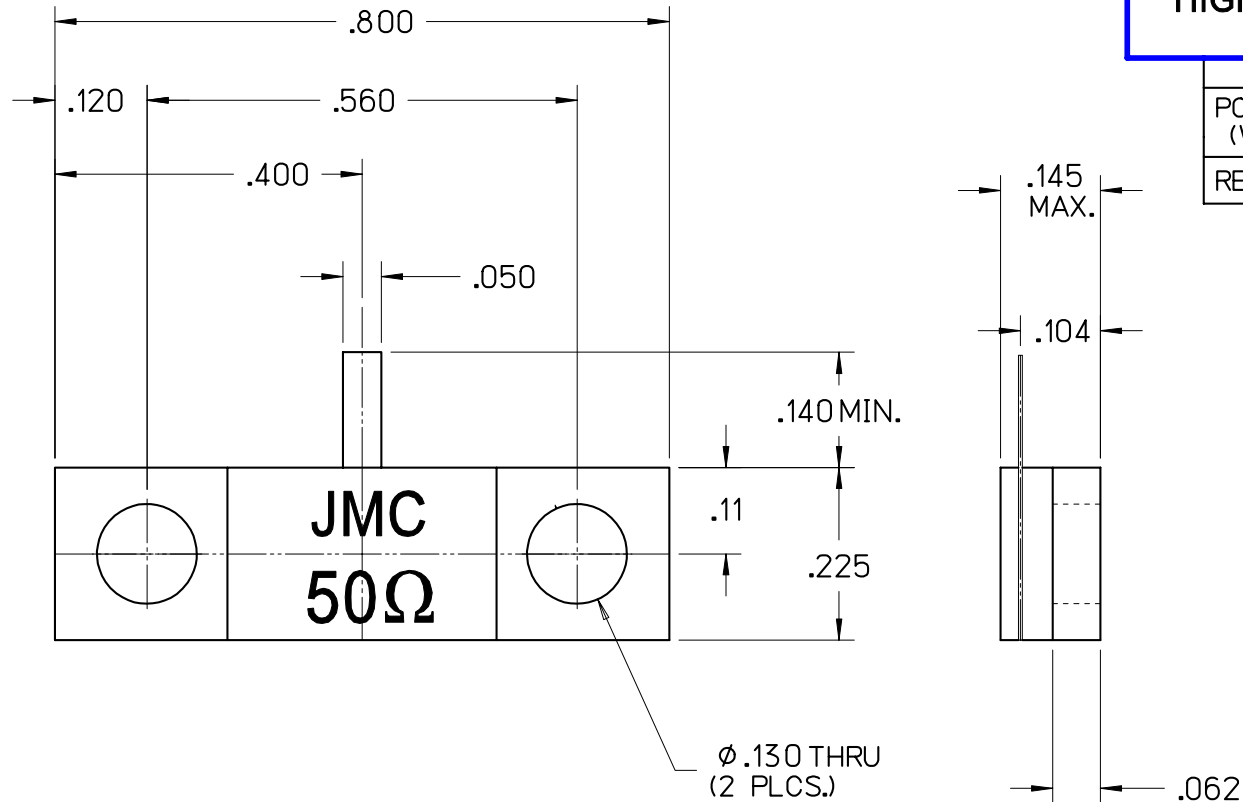
MI DRG. NO.

TF050AB04B

REV.

# TF050AB04 B

## HIGH POWER ALN TERMINATION (A50B-T4)



SPECIFICATIONS		FILE: TERMOUT
POWER MAX (WATTS):	50 CW	
RESISTANCE	50 OHMS (±5%)	

B	10/30/07	MLD	MAI	MAI	000607
A	02/22/07	MLD	-	-	000510
LEVEL	DATE	DRN.	CHK.	APP.	ECN

REVISIONS

DRN.	CHK.	APP.	SCALE
MLD	MAI	MAI	4" = 1"
DATE	DATE	DATE	.XX ± .015
02/22/07	02/22/07	02/22/07	.XXX ± .010



**JOHANSON MANUFACTURING CORPORATION**  
 ROCKAWAY VALLEY ROAD, BOONTON, N.J. 07005 (973)334-2676 FAX (973)334-2954  
 ELECTRONIC ACCURACY THROUGH MECHANICAL PRECISION

PROPRIETARY INFORMATION CONTAINED NOT TO BE USED WITHOUT JOHANSON MANUFACTURING CORPORATION APPROVAL