

MI DRG. NO.

TF040BB04B

REV.

TF040BB04 B**HIGH POWER BeO TERMINATION
(B40B-T4)**

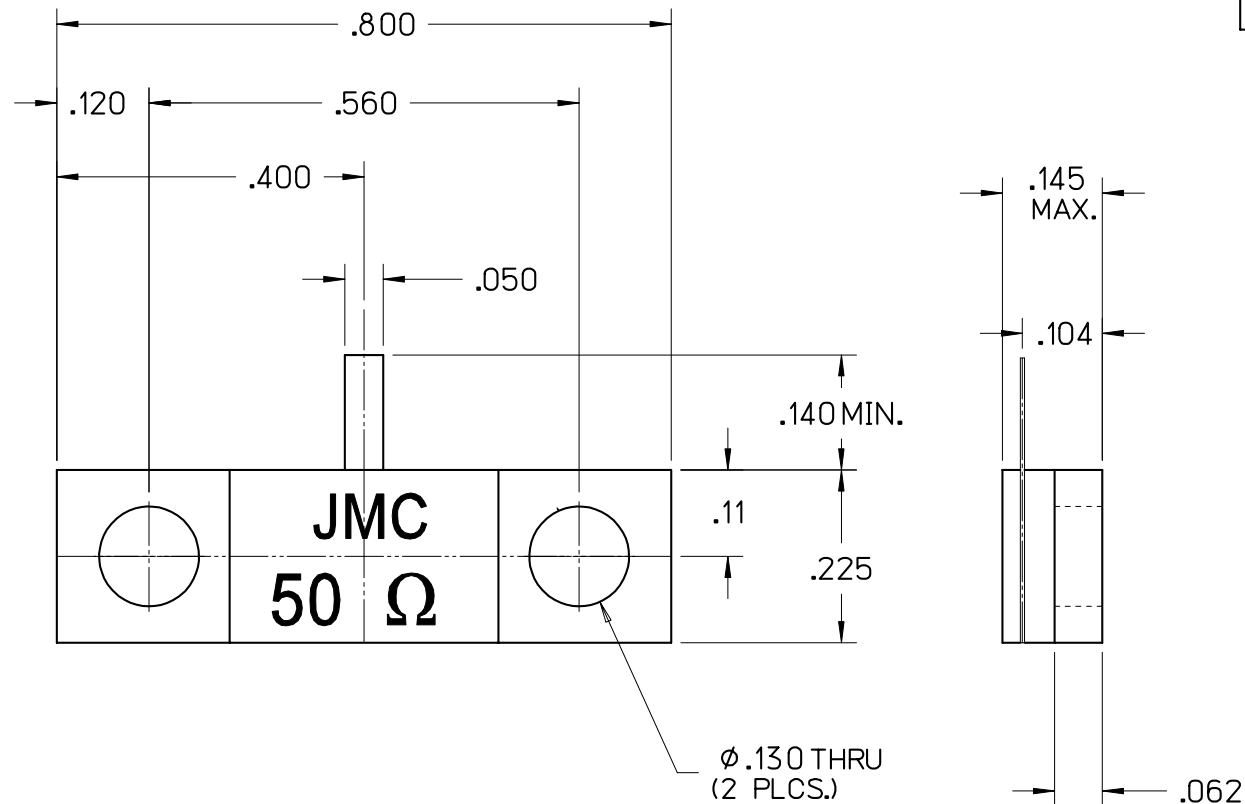
SPECIFICATIONS

FILE: TERMOUT

POWER MAX
(WATTS):

40 CW

RESISTANCE

50 OHMS ($\pm 5\%$)**CAUTION**

THIS SUBSTRATE USES BERYLLIUM OXIDE
USE CARE WHEN HANDLING.
DO NOT SCRATCH OR ABRASIVE
TRIM IN OPEN AREA.

B	10/30/07	MLD	MAI	MAI	000607
A	11/07/06	MLD	-	-	000465
LEVEL	DATE	DRN.	CHK.	APP.	ECN
REVISIONS					
DRN.	MLD	CHK.	MAI	APP.	MAI
DATE	11/07/06	DATE	11/07/06	DATE	11/07/06
				SCALE	.XX \pm .015 .XXX \pm .010



JOHANSON MANUFACTURING CORPORATION
ROCKAWAY VALLEY ROAD, BOONTON, N.J. 07005 (973)334-2676 FAX (973)334-2954
ELECTRONIC ACCURACY THROUGH MECHANICAL PRECISION

PROPRIETARY INFORMATION CONTAINED NOT TO BE USED WITHOUT JOHANSON MANUFACTURING CORPORATION APPROVAL