

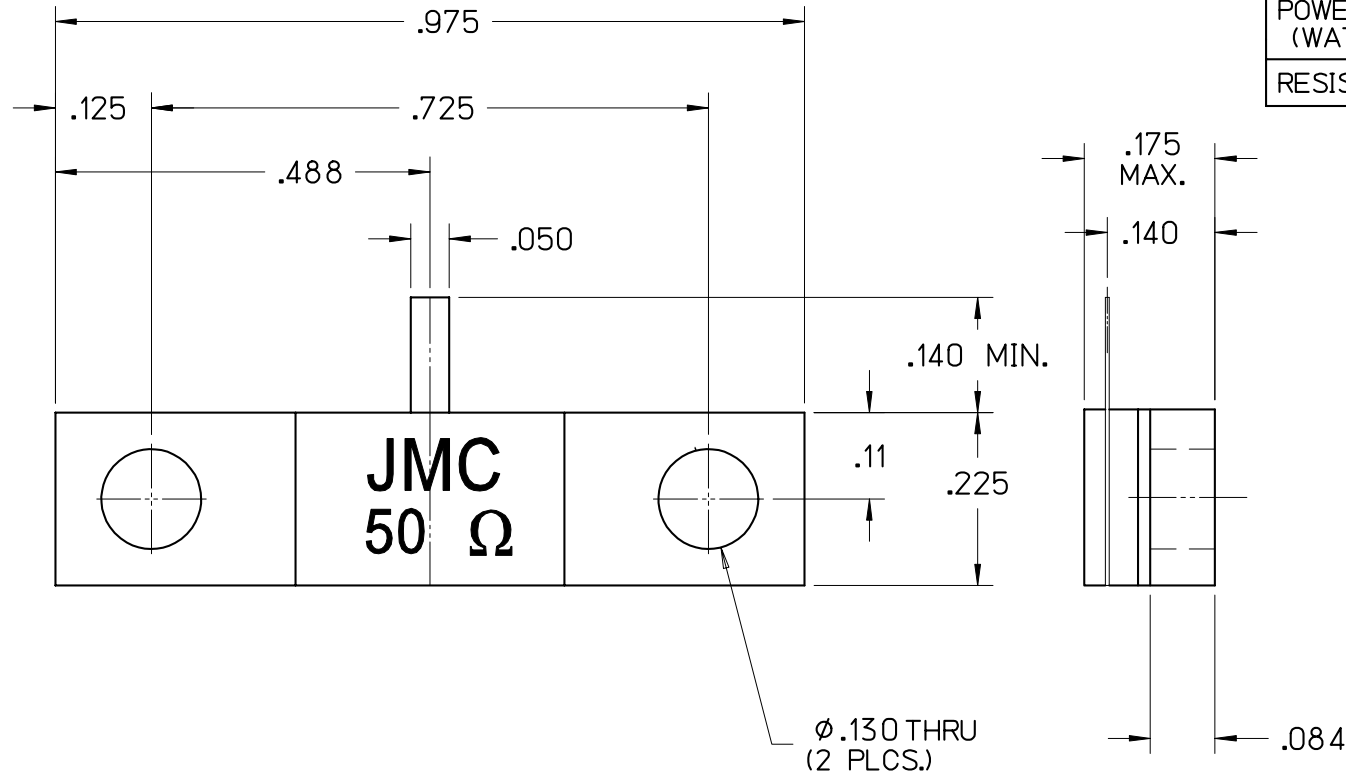
# TF040AB05B

## HIGH POWER ALN TERMINATION (A40B-T5)

SPECIFICATIONS

FILE: TERMOUT

POWER MAX (WATTS):	40 CW
RESISTANCE	50 OHMS (±5%)



B	10/17/06	MLD	MAI	MAI	000457
A	05/19/06	MLD	-	-	000409
LEVEL	DATE	DRN.	CHK.	APP.	ECN

REVISIONS

DRN.	CHK.	APP.	SCALE
MLD	MAI	MAI	4" = 1"
DATE	DATE	DATE	.XX ± .015
05/19/06	07/18/06	07/18/06	.XXX ± .010



**JOHANSON MANUFACTURING CORPORATION**  
 ROCKAWAY VALLEY ROAD, BOONTON, N.J. 07005 (973)334-2676 FAX (973)334-2954  
 ELECTRONIC ACCURACY THROUGH MECHANICAL PRECISION