

MI DRG. NO.

TF040AB04C

REV.

TF040AB04 C**HIGH POWER ALN TERMINATION
(A40B-T4)**

SPECIFICATIONS

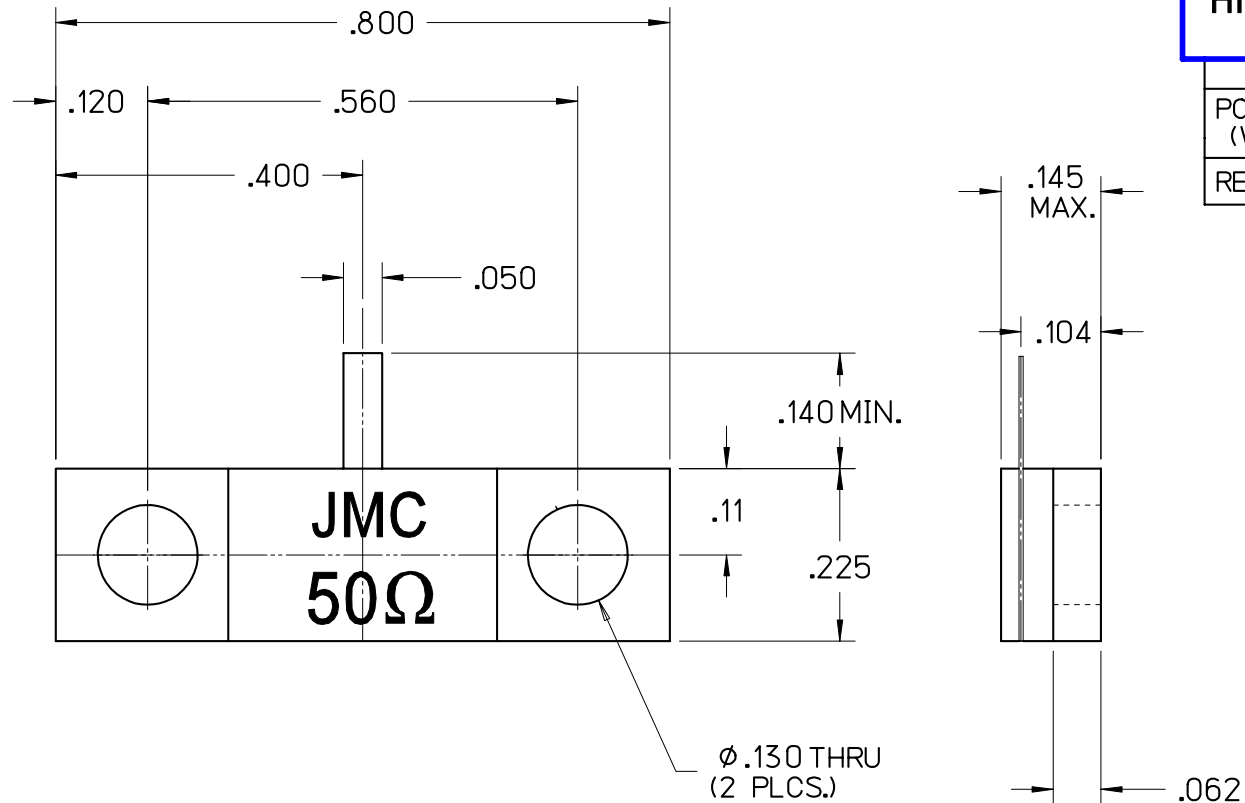
FILE: TERMOUT

POWER MAX
(WATTS):

40 CW

RESISTANCE

50 OHMS (±5%)



C	10/30/07	MLD	MAI	MAI	000607
B	10/17/06	MLD	MAI	MAI	000457
A	05/18/06	MLD	-	-	000409
LEVEL	DATE	DRN.	CHK.	APP.	ECN

REVISIONS

DRN.	CHK.	APP.	SCALE
MLD	MAI	MAI	4" = 1"
DATE	DATE	DATE	.XX ± .015
05/18/06	07/18/06	07/18/06	.XXX ± .010



JOHANSON MANUFACTURING CORPORATION
 ROCKAWAY VALLEY ROAD, BOONTON, N.J. 07005 (973)334-2676 FAX (973)334-2954
 ELECTRONIC ACCURACY THROUGH MECHANICAL PRECISION

PROPRIETARY INFORMATION CONTAINED NOT TO BE USED WITHOUT JOHANSON MANUFACTURING CORPORATION APPROVAL