

TF010BB1R D

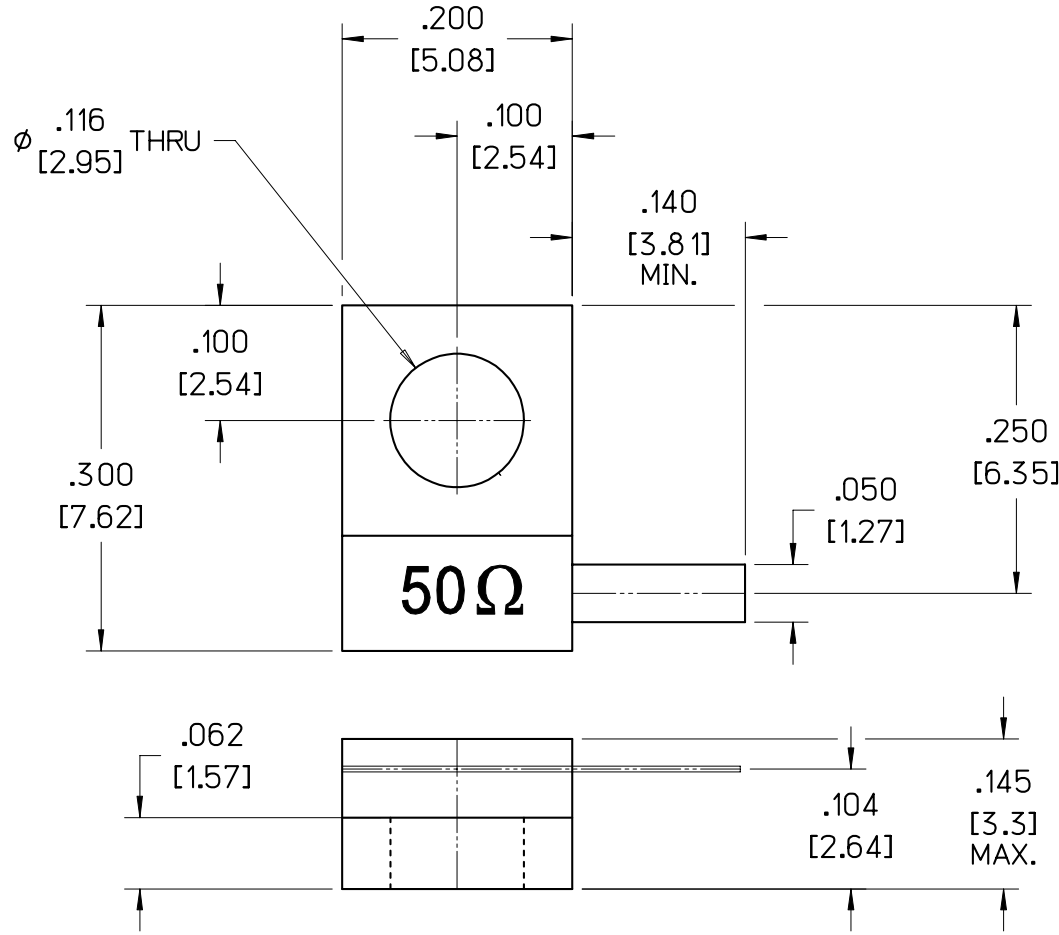
HIGH POWER BeO TERMINATION

SPECIFICATIONS

FILE: TERMOUT

POWER MAX (WATTS):	10 CW
RESISTANCE	50 OHMS ± 5%
FREQUENCY	DC - 4GHZ
VSWR	1.35 : 1

DIMENSIONS IN BRACKETS INDICATE [mm]



CAUTION

THIS SUBSTRATE USES BERYLLIUM OXIDE
USE CARE WHEN HANDLING.
DO NOT SCRATCH OR ABRASIVE
TRIM IN OPEN AREA.

D	05/19/09	MAI	MAI	MAI	000770
C	10/29/07	MLD	MAI	MAI	000607
B	10/17/06	MLD	MAI	MAI	000457
A	05/30/06	MLD	-	-	000409
LEVEL	DATE	DRN.	CHK.	APP.	ECN

REVISIONS

DRN.	CHK.	APP.	SCALE
MLD	MAI	MAI	6" = 1"
DATE	DATE	DATE	.XX ± .015
05/30/06	07/10/06	07/10/06	.XXX ± .010



JOHANSON MANUFACTURING CORPORATION
ROCKAWAY VALLEY ROAD, BOONTON, N.J. 07005 (973)334-2676 FAX (973)334-2954
ELECTRONIC ACCURACY THROUGH MECHANICAL PRECISION