

MI DRG. NO.

TF010AA1RC

REV.

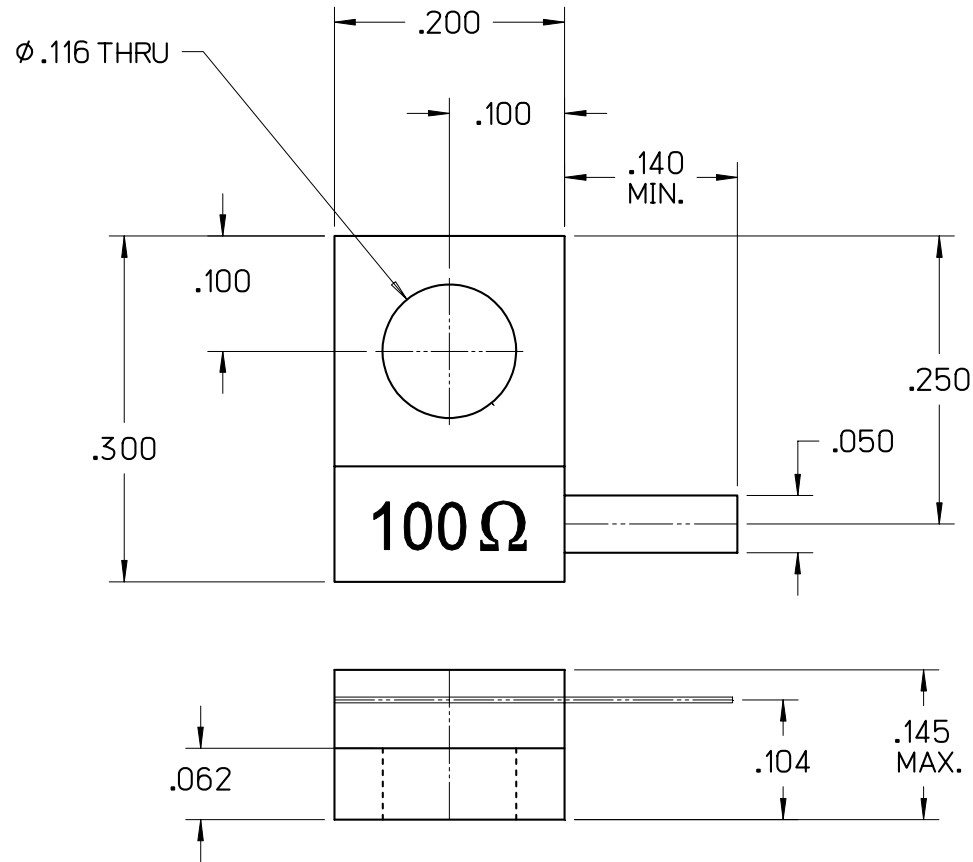
TF010AA1R C

HIGH POWER ALN TERMINATION (A10A-T1R)

SPECIFICATIONS

FILE: TERMOUT

POWER MAX (WATTS):	10 CW
RESISTANCE	100 OHMS (±5%)



C	10/25/07	MLD	MAI	MAI	000607
B	10/17/06	MLD	MAI	MAI	000457
A	05/25/06	MLD	-	-	000409
LEVEL	DATE	DRN.	CHK.	APP.	ECN

REVISIONS

DRN.	CHK.	APP.	SCALE
MLD	MAI	MAI	6" = 1"
DATE	DATE	DATE	.XX ± .015
05/25/06	07/18/06	07/18/06	.XXX ± .010



JOHANSON MANUFACTURING CORPORATION
 ROCKAWAY VALLEY ROAD, BOONTON, N.J. 07005 (973)334-2676 FAX (973)334-2954
 ELECTRONIC ACCURACY THROUGH MECHANICAL PRECISION

PROPRIETARY INFORMATION CONTAINED NOT TO BE USED WITHOUT JOHANSON MANUFACTURING CORPORATION APPROVAL