

MI DRG. NO.

TF010AA1LC

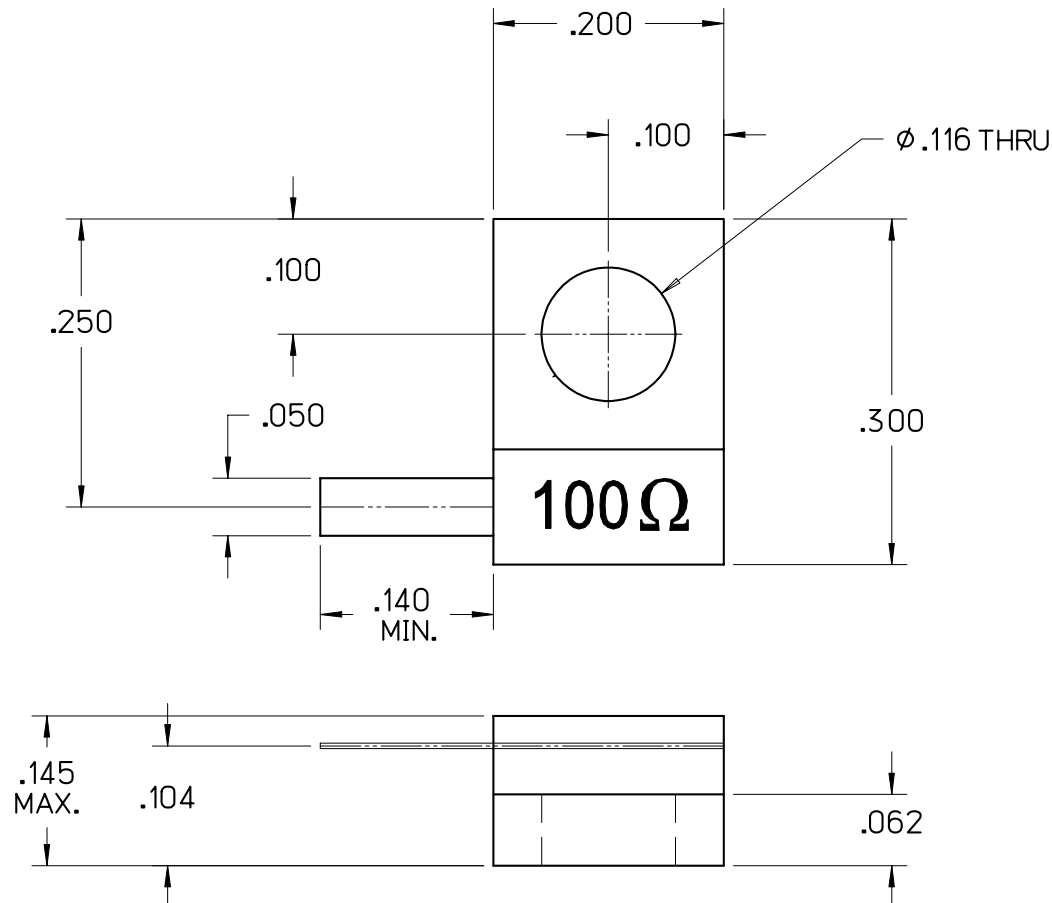
REV.

**TF010AA1LC****HIGH POWER ALN TERMINATION  
(A10A-T1L)**

SPECIFICATIONS

FILE: TERMOU7

POWER MAX (WATTS):	10 CW
RESISTANCE	100 OHMS (±5%)



C	10/25/07	MLD	MAI	MAI	000607
B	10/17/06	MLD	MAI	MAI	000457
A	05/22/06	MLD	-	-	000409
LEVEL	DATE	DRN.	CHK.	APP.	ECN

## REVISIONS

DRN.	CHK.	APP.	SCALE
MLD	MAI	MAI	6" = 1"
DATE	DATE	DATE	.XX ± .015
05/22/06	07/18/06	07/18/06	.XXX ± .010

**JOHANSON MANUFACTURING CORPORATION**

ROCKAWAY VALLEY ROAD, BOONTON, N.J. 07005 (973)334-2676 FAX (973)334-2954  
ELECTRONIC ACCURACY THROUGH MECHANICAL PRECISION

PROPRIETARY INFORMATION CONTAINED NOT TO BE USED WITHOUT JOHANSON MANUFACTURING CORPORATION APPROVAL