

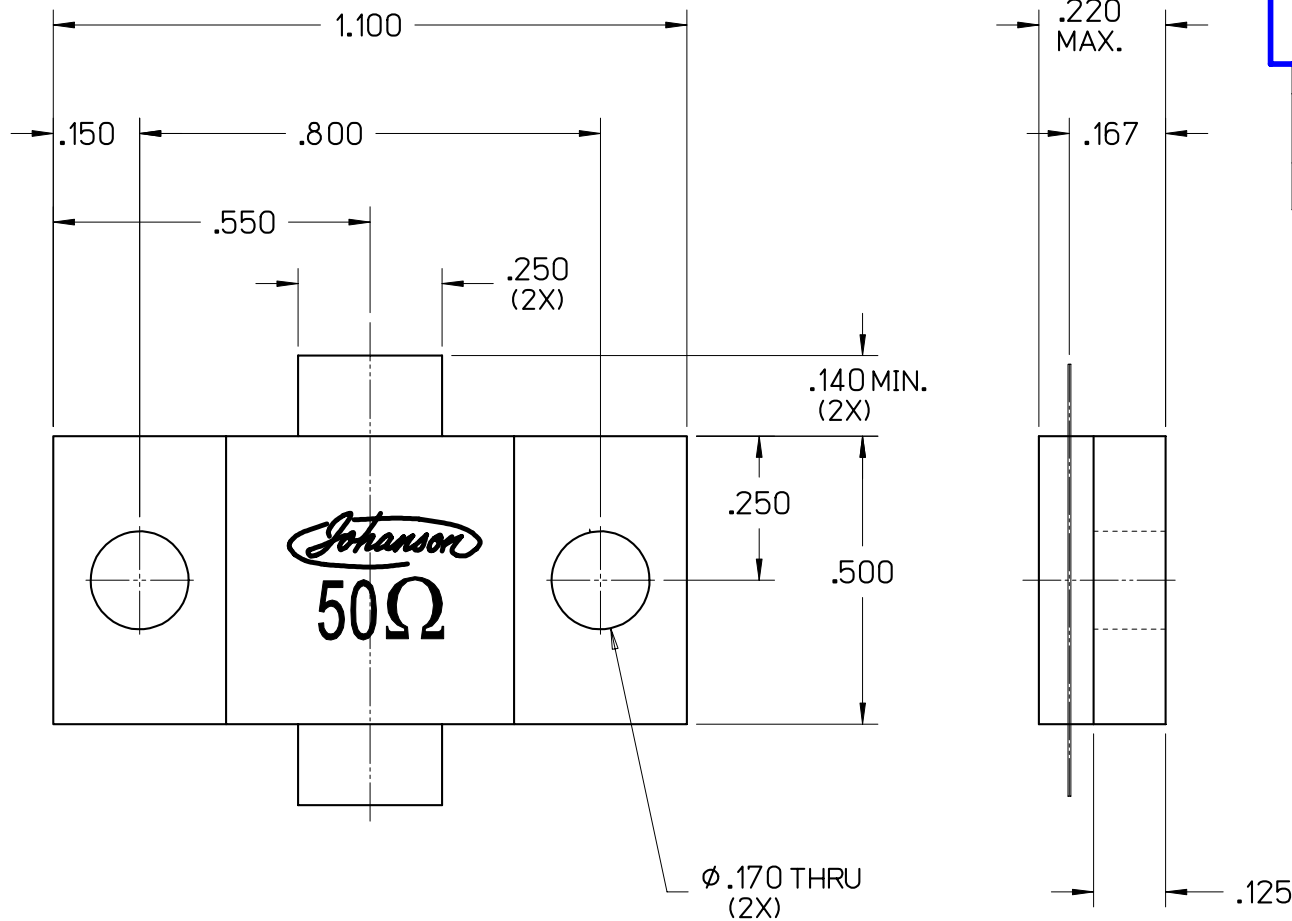
# RF400BB13 C

## HIGH POWER BeO RESISTOR

SPECIFICATIONS

FILE: RESOUT

POWER MAX (WATTS):	400 CW
RESISTANCE	50 OHMS (±5%)



### CAUTION

THIS SUBSTRATE USES BERYLLIUM OXIDE  
USE CARE WHEN HANDLING.  
DO NOT SCRATCH OR ABRASIVE  
TRIM IN OPEN AREA.

C	01/19/09	MAI	MAI	MAI	000747
B	02/08/08	MLD	MAI	MAI	000644
A	09/21/06	SDJ	-	-	000441
LEVEL	DATE	DRN.	CHK.	APP.	ECN

REVISIONS

DRN.	CHK.	APP.	SCALE
SDJ	SDJ	MAI	3" = 1"
DATE	DATE	DATE	.XX ± .015
09/21/06	09/28/06	09/28/06	.XXX ± .010



### JOHANSON MANUFACTURING CORPORATION

ROCKAWAY VALLEY ROAD, BOONTON, N.J. 07005 (973)334-2676 FAX (973)334-2954  
ELECTRONIC ACCURACY THROUGH MECHANICAL PRECISION