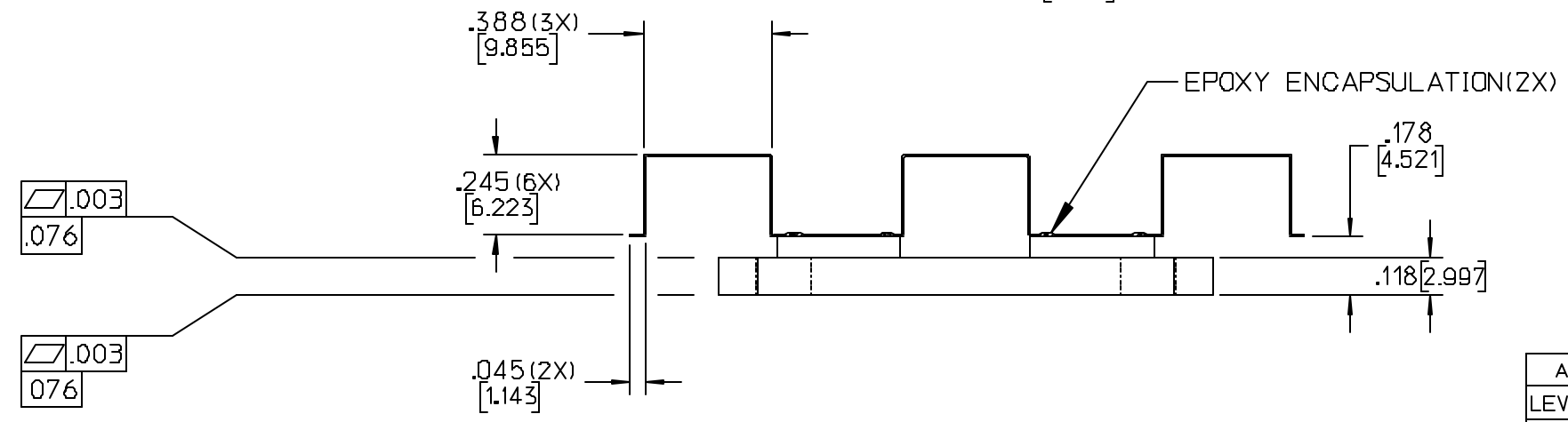
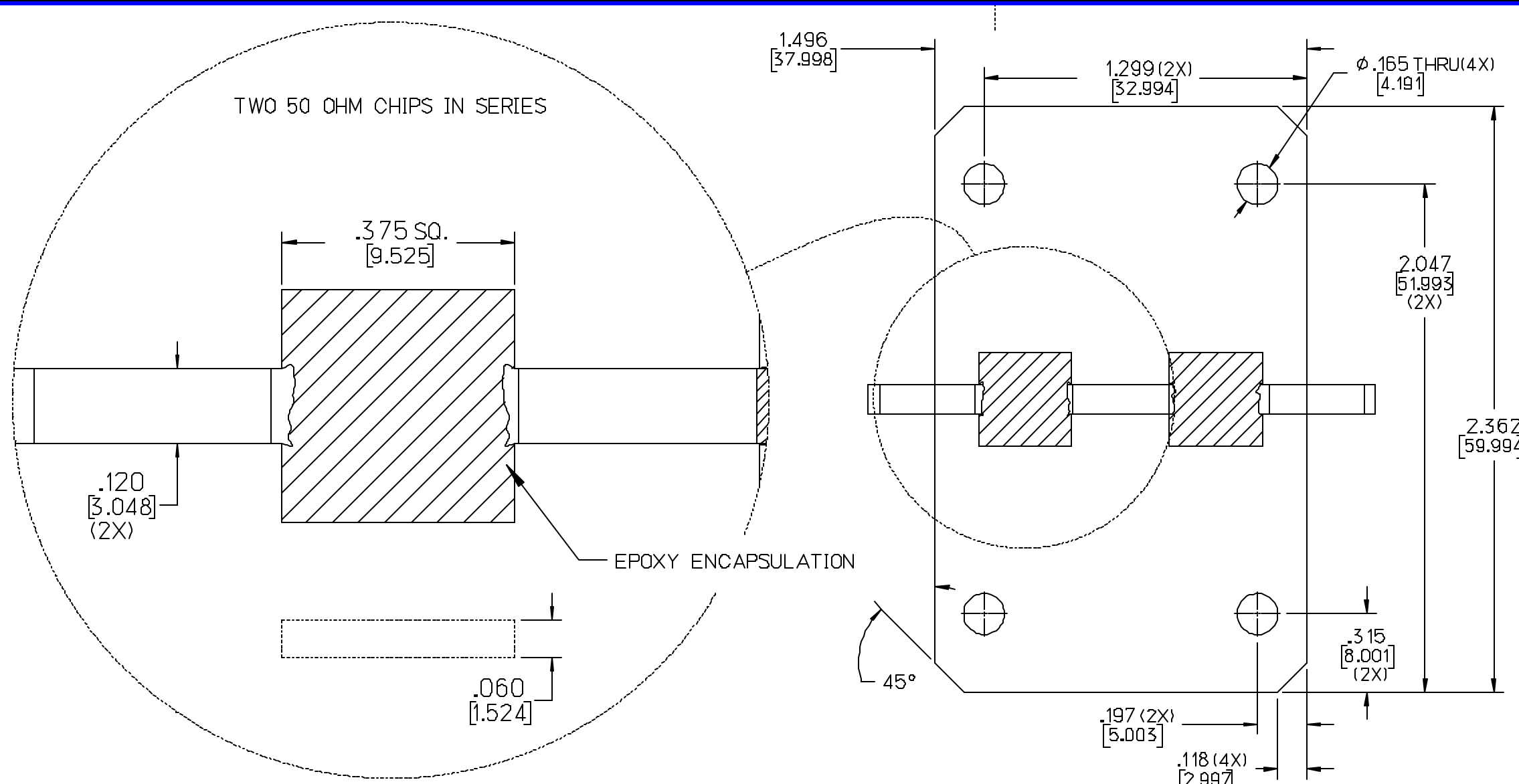


RF400BA24
HIGH POWER BeO RESISTOR
 (2X)(.375 X .375 X .060 THK)

SPECIFICATIONS	FILE RESULT
POWER MAX (WATTS)	400 CW
RESISTANCE	100 OHMS (±5%)

[DIMENSIONS IN mm]

CAUTION
 THIS SUBSTRATE USES BERYLLIUM OXIDE
 USE CARE WHEN HANDLING.
 DO NOT SCRATCH OR ABRASIVE
 TRIM IN OPEN AREA.



Johanson
JOHANSON MANUFACTURING CORPORATION
 ROCKAWAY VALLEY ROAD, BOONTON, N.J. 07005 (973)334-2676 FAX (973)334-2954
 ELECTRONIC ACCURACY THROUGH MECHANICAL PRECISION
 PROPRIETARY INFORMATION CONTAINED NOT TO BE USED WITHOUT JOHANSON MANUFACTURING CORPORATION APPROVAL

LEVEL	DATE	DRN.	CHK.	APP.	ECN
A	05/04/09	SDJ	-	-	000763
REVISIONS					
DRN.	CHK.	APP.	SCALE		
SDJ	SDJ	MAI	2" = 1"		
DATE	DATE	DATE	.XX ± .015		
05/04/09	05/06/09	05/06/09	.XXX ± .010		