

MI DRG. NO.

RF250BU12A

REV.

RF250BU12 A**HIGH POWER BeO RESISTOR**

SPECIFICATIONS

FILE: RESOUT

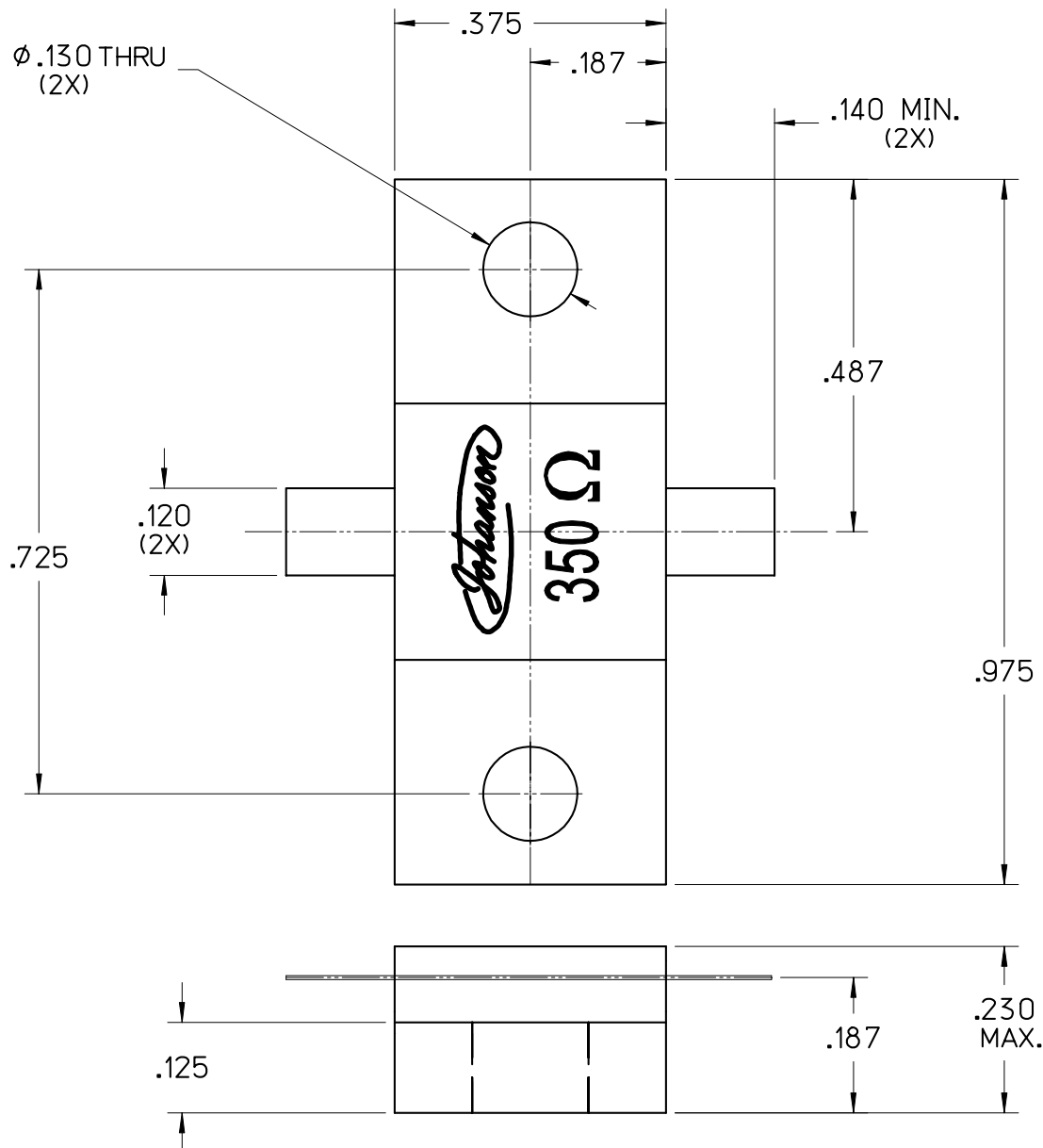
POWER MAX
(WATTS):

250 CW

RESISTANCE

350 OHMS ($\pm 5\%$)**CAUTION**

THIS SUBSTRATE USES BERYLLIUM OXIDE
USE CARE WHEN HANDLING.
DO NOT SCRATCH OR ABRASIVE
TRIM IN OPEN AREA.



LEVEL	DATE	DRN.	CHK.	APP.	ECN
A	01/17/09	MAI	-	-	000747
REVISIONS					
DRN.	MAI	CHK.	MAI	APP.	MAI
DATE	01/17/09	DATE	01/17/09	DATE	01/17/09
					SCALE 4" = 1"
					.XX \pm .015 .XXX \pm .010

**JOHANSON MANUFACTURING CORPORATION**

ROCKAWAY VALLEY ROAD, BOONTON, N.J. 07005 (973)334-2676 FAX (973)334-2954
ELECTRONIC ACCURACY THROUGH MECHANICAL PRECISION

PROPRIETARY INFORMATION CONTAINED NOT TO BE USED WITHOUT JOHANSON MANUFACTURING CORPORATION APPROVAL