

MI DRG. NO.

RF250BB12-100B

REV.

# RF250BB12-100 B

## HIGH POWER BeO RESISTOR

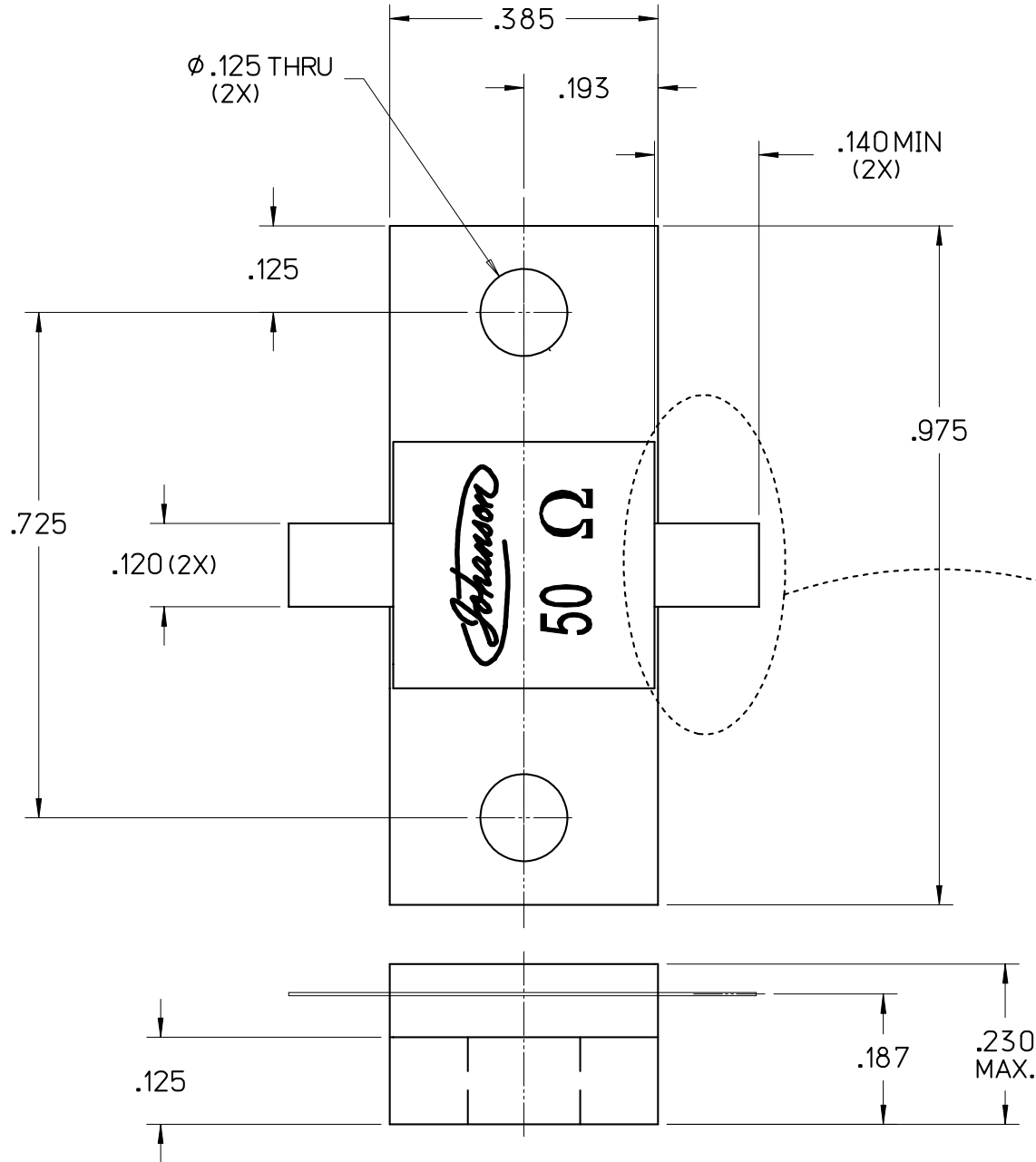
SPECIFICATIONS

FILE: RESOUT

POWER MAX (WATTS):	250 CW
RESISTANCE	50 OHMS (±5%)

### CAUTION

THIS SUBSTRATE USES BERYLLIUM OXIDE  
USE CARE WHEN HANDLING.  
DO NOT SCRATCH OR ABRASIVE  
TRIM IN OPEN AREA.



B	02/15/08	MLD	MAI	MAI	000646
A	02/28/07	MLD	-	-	000512
LEVEL	DATE	DRN.	CHK.	APP.	ECN

### REVISIONS

DRN.	CHK.	APP.	SCALE
MLD	MAI	MAI	4" = 1"
DATE	DATE	DATE	.XX ± .015
02/28/07	03/19/07	03/19/07	.XXX ± .010



**JOHANSON MANUFACTURING CORPORATION**  
ROCKAWAY VALLEY ROAD, BOONTON, N.J. 07005 (973)334-2676 FAX (973)334-2954  
ELECTRONIC ACCURACY THROUGH MECHANICAL PRECISION

PROPRIETARY INFORMATION CONTAINED NOT TO BE USED WITHOUT JOHANSON MANUFACTURING CORPORATION APPROVAL