

MI DRG. NO.

RF250BB12-013C

REV.

RF250BB12-013**C****HIGH POWER BeO RESISTOR**

SPECIFICATIONS

FILE: RESOUT

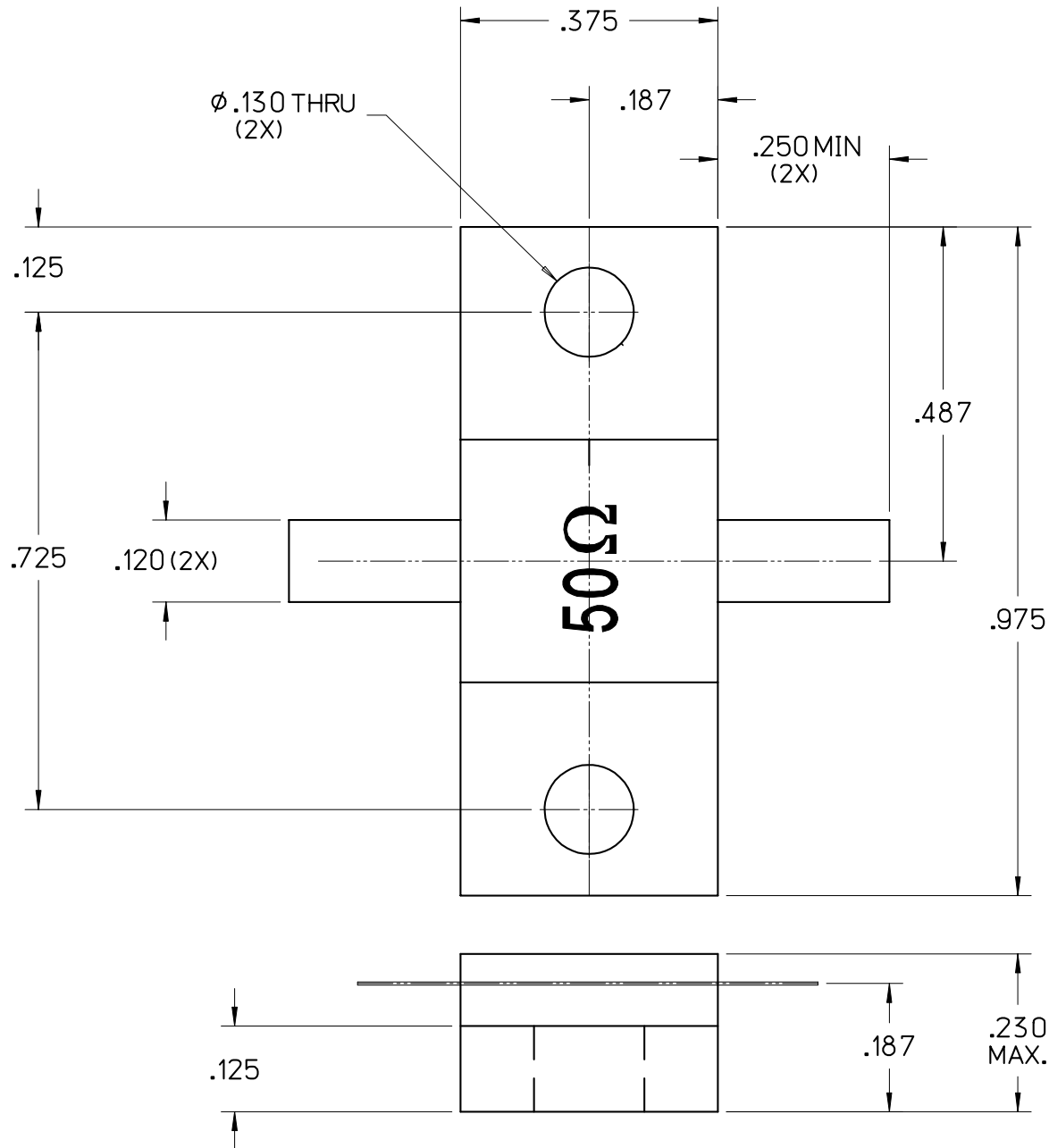
POWER MAX
(WATTS):

250 CW

RESISTANCE

50 OHMS ($\pm 5\%$)**CAUTION**

THIS SUBSTRATE USES BERYLLIUM OXIDE
USE CARE WHEN HANDLING.
DO NOT SCRATCH OR ABRASIVE
TRIM IN OPEN AREA.



C	01/17/09	MAI	MAI	MAI	000747
B	02/15/08	MLD	MAI	MAI	000646
A	01/09/07	MLD	-	-	000486
LEVEL	DATE	DRN.	CHK.	APP.	ECN

REVISIONS

DRN.	CHK.	APP.	SCALE
MLD	MAI	MAI	4" = 1"
DATE	DATE	DATE	.XX \pm .015
01/09/07	01/10/07	01/10/07	.XXX \pm .010

**JOHANSON MANUFACTURING CORPORATION**

ROCKAWAY VALLEY ROAD, BOONTON, N.J. 07005 (973)334-2676 FAX (973)334-2954
ELECTRONIC ACCURACY THROUGH MECHANICAL PRECISION

PROPRIETARY INFORMATION CONTAINED NOT TO BE USED WITHOUT JOHANSON MANUFACTURING CORPORATION APPROVAL