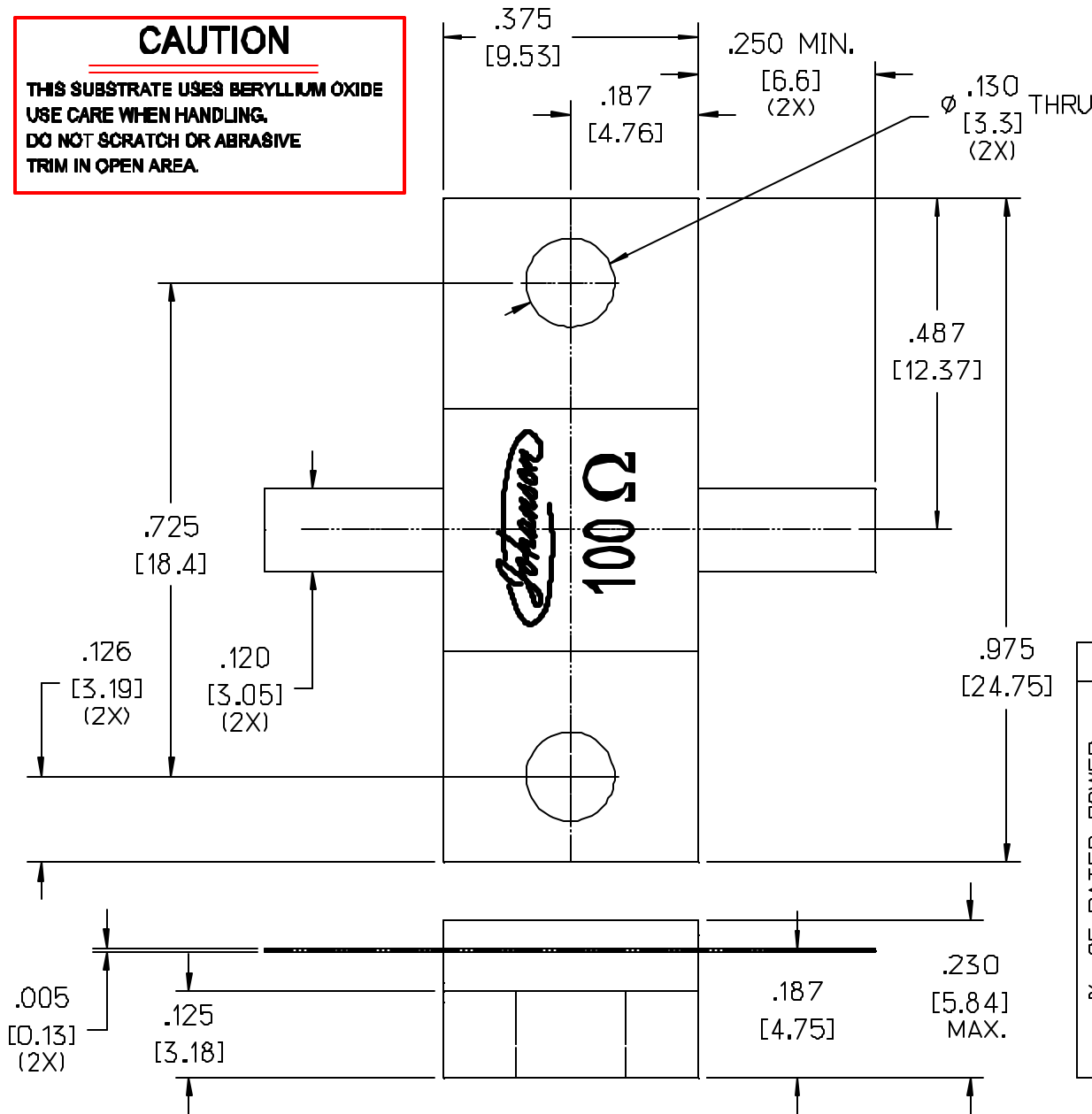


CAUTION

THIS SUBSTRATE USES BERYLLIUM OXIDE
USE CARE WHEN HANDLING.
DO NOT SCRATCH OR ABRASIVE
TRIM IN OPEN AREA.



MI DRG. NO.

RF250BA12-010C

REV.

RF250BA12-010 C

HIGH POWER BeO RESISTOR

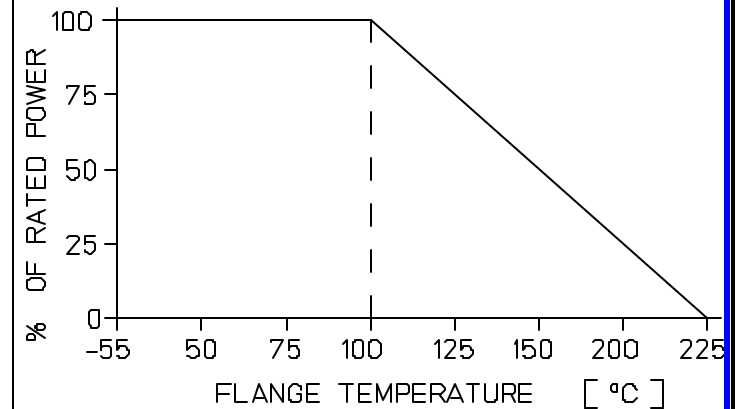
SPECIFICATIONS	FILE RESOUT
POWER MAX (WATTS)	250 CW
RESISTANCE	100 OHMS (±5%)
FREQUENCY RANGE	DC-2.0GHZ
CAPACITANCE	1.9pF

NOTES

1. RoHS COMPLIANT
2. GAP WELDED LEADS (99.99% PURE SILVER).
3. ALUMINA COVER.
4. COPPER NICKEL PLATED FLANGE (PER QQ-N-290).
5. THICK FILM RESISTIVE ELEMENT

DIMENSIONS IN BRACKETS INDICATE [mm]

POWER DERATING



C	08/10/09	SDJ	SDJ	MAI	000792
B	08/06/09	SDJ	SDJ	MAI	000785
LEVEL	DATE	DRN.	CHK.	APP.	ECN

REVISIONS

DRN.	CHK.	APP.	SCALE
MAI	MAI	MAI	4" - 1"
DATE	DATE	DATE	.XX±.015 [3.81]
03/25/09	03/26/09	03/26/09	.XXX±.010 [254]



JOHANSON MANUFACTURING CORPORATION

ROCKAWAY VALLEY ROAD, BOONTON, N.J. 07005 (973)334-2676 FAX (973)334-2954
ELECTRONIC ACCURACY THROUGH MECHANICAL PRECISION

PROPRIETARY INFORMATION CONTAINED NOT TO BE USED WITHOUT JOHANSON MANUFACTURING CORPORATION APPROVAL