

MI DRG. NO.

RF250AA12-100B

REV.

**RF250AA12-100 B****HIGH POWER ALN RESISTOR**

SPECIFICATIONS

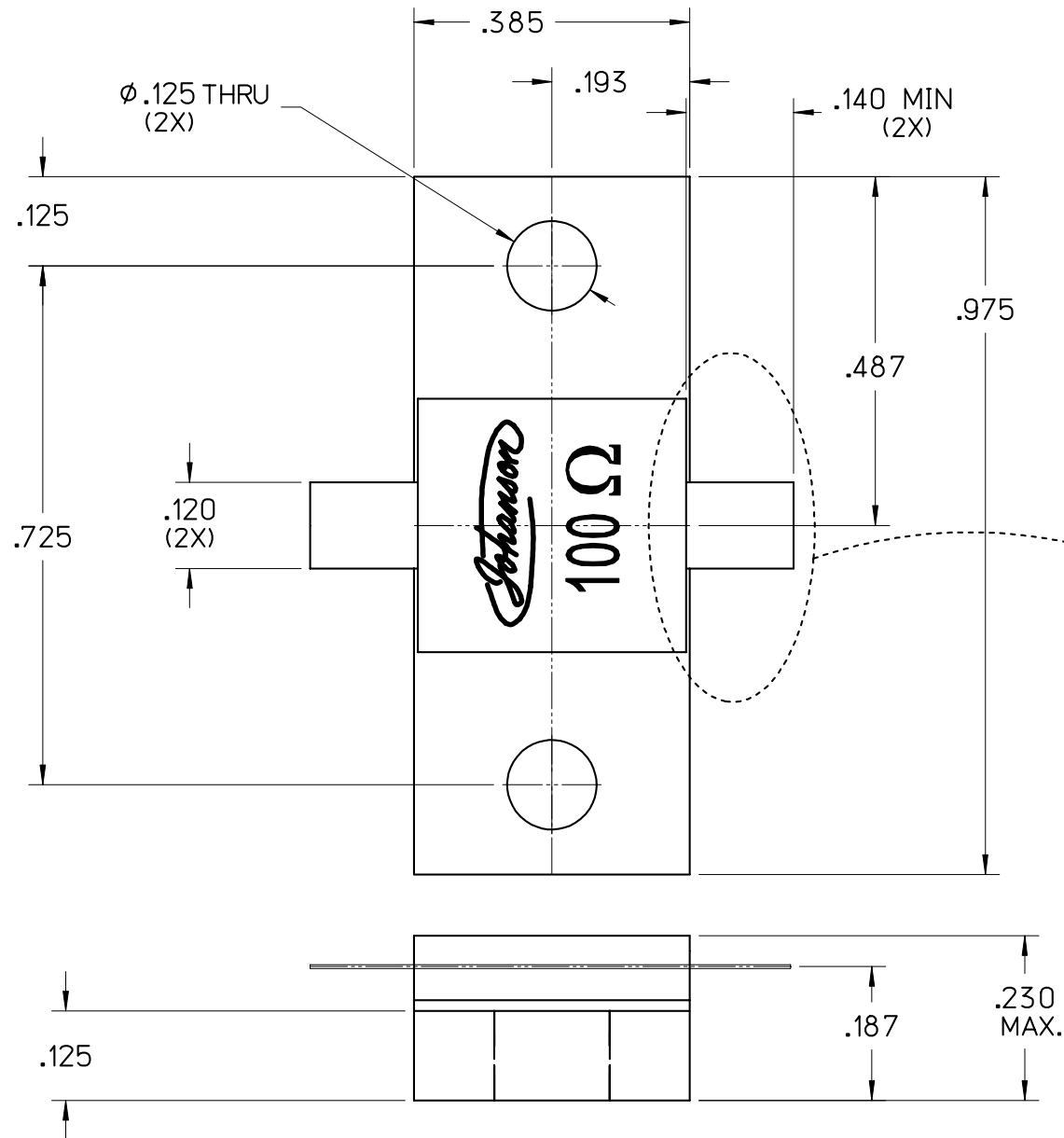
FILE: RESOUT

POWER MAX  
(WATTS):

250 CW

RESISTANCE

100 OHMS (±5%)



B	02/14/08	MLD	MAI	MAI	000646
A	03/01/07	MLD	-	-	000512
LEVEL	DATE	DRN.	CHK.	APP.	ECN

## REVISIONS

DRN.	CHK.	APP.	SCALE
MLD	MAI	MAI	4" = 1"
DATE	DATE	DATE	.XX ± .015
03/01/07	03/19/07	03/19/07	.XXX ± .010

**JOHANSON MANUFACTURING CORPORATION**

ROCKAWAY VALLEY ROAD, BOONTON, N.J. 07005 (973)334-2676 FAX (973)334-2954  
ELECTRONIC ACCURACY THROUGH MECHANICAL PRECISION

PROPRIETARY INFORMATION CONTAINED NOT TO BE USED WITHOUT JOHANSON MANUFACTURING CORPORATION APPROVAL