

MI DRG. NO.

RF150BK10A

REV.

RF150BK10 A**HIGH POWER BeO RESISTOR**

SPECIFICATIONS

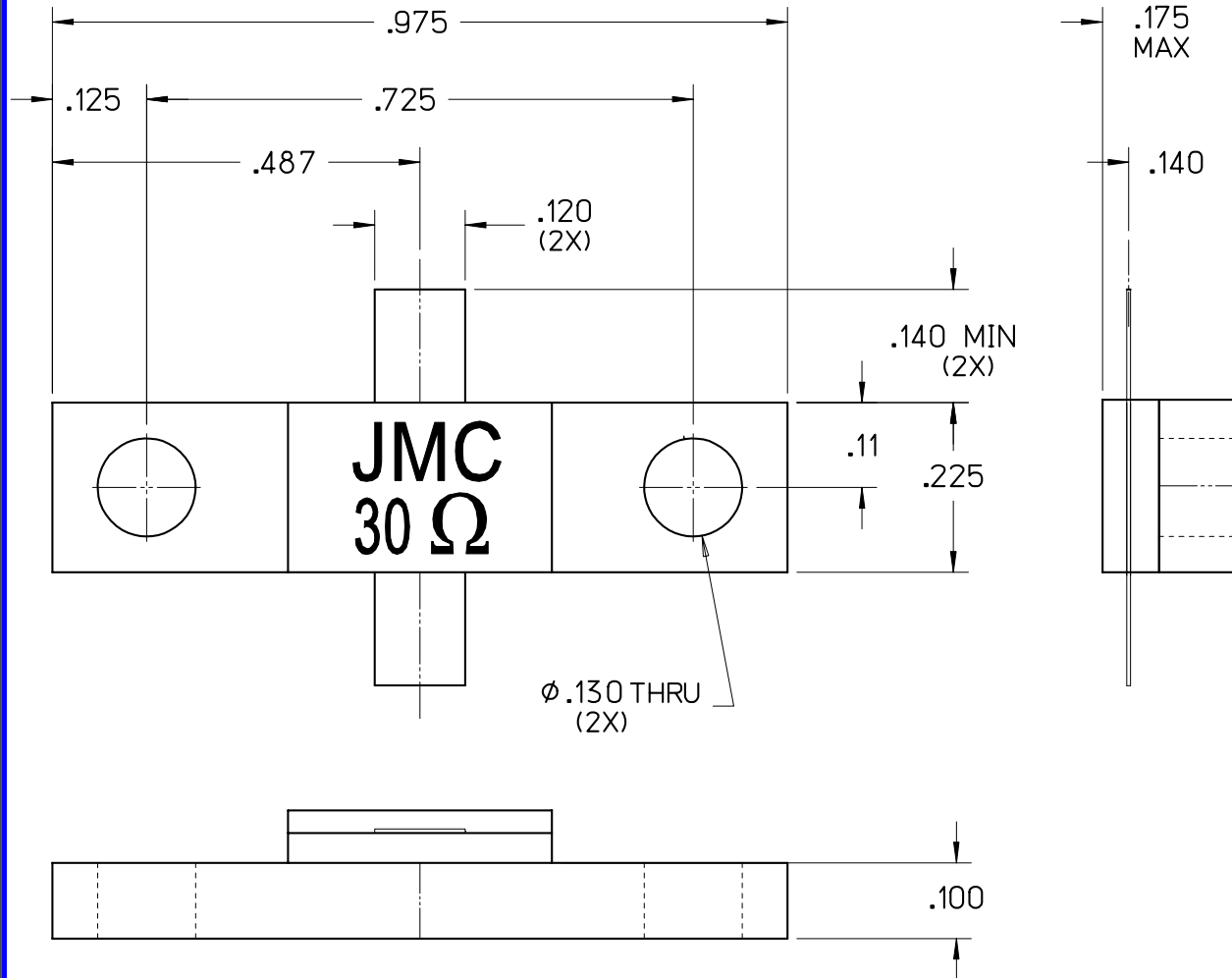
FILE: RESOUT

POWER MAX
(WATTS):

150 CW

RESISTANCE

30 OHMS (±5%)



CAUTION

THIS SUBSTRATE USES BERYLLIUM OXIDE
USE CARE WHEN HANDLING.
DO NOT SCRATCH OR ABRASIVE
TRIM IN OPEN AREA.

A	12/19/08	MAI	-	-	000743
LEVEL	DATE	DRN.	CHK.	APP.	ECN

REVISIONS

DRN.	CHK.	APP.	SCALE
MAI	MAI	MAI	4" = 1"
DATE	DATE	DATE	.XX ± .015
12/19/08	12/19/08	12/19/08	.XXX ± .010



JOHANSON MANUFACTURING CORPORATION

ROCKAWAY VALLEY ROAD, BOONTON, N.J. 07005 (973)334-2676 FAX (973)334-2954
ELECTRONIC ACCURACY THROUGH MECHANICAL PRECISION

PROPRIETARY INFORMATION CONTAINED NOT TO BE USED WITHOUT JOHANSON MANUFACTURING CORPORATION APPROVAL