

RF150BB09 B

HIGH POWER BeO RESISTOR (B150B-R9)

SPECIFICATIONS

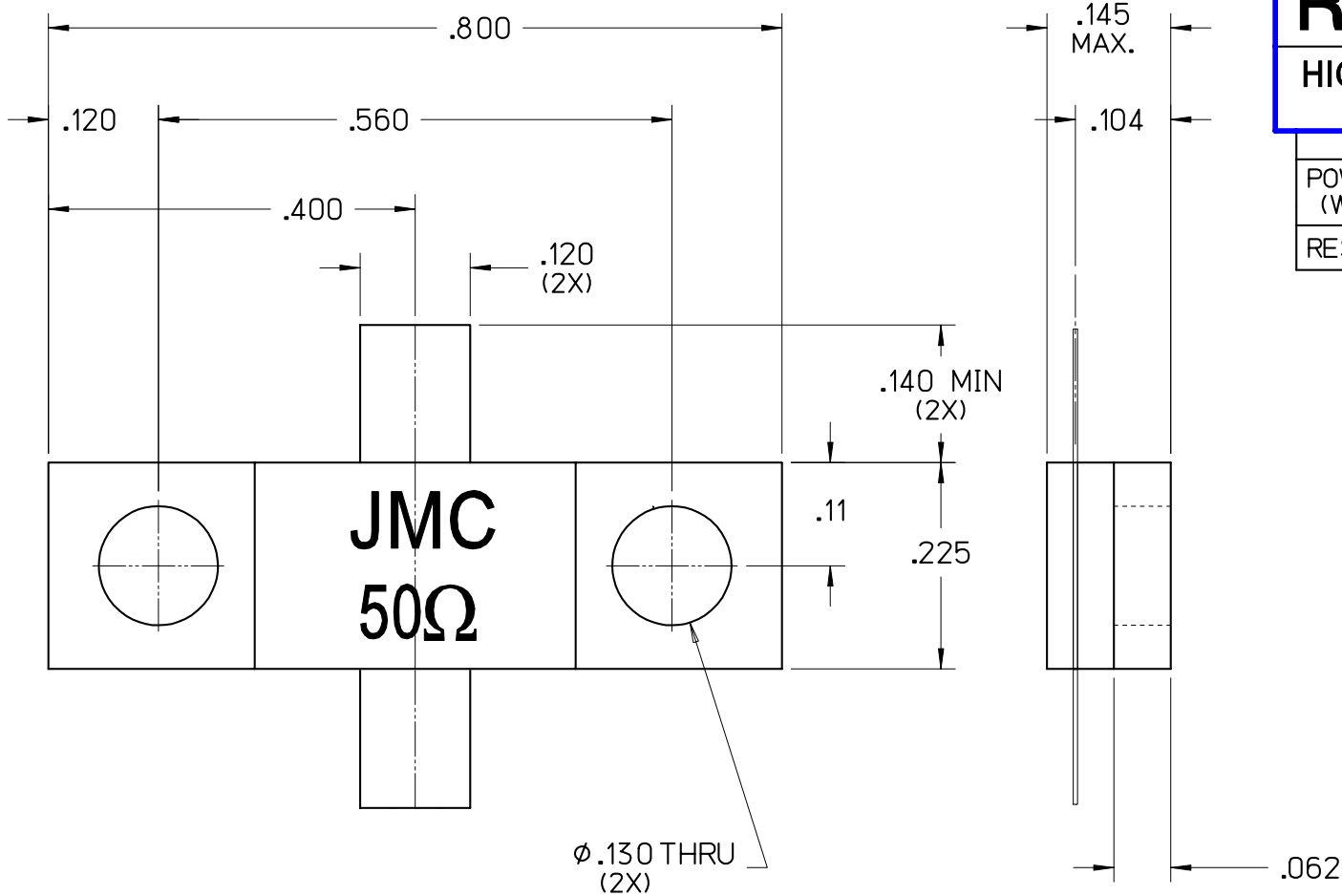
FILE: RESOUT

POWER MAX
(WATTS):

150 CW

RESISTANCE

50 OHMS (±5%)



CAUTION

THIS SUBSTRATE USES BERYLLIUM OXIDE
USE CARE WHEN HANDLING.
DO NOT SCRATCH OR ABRASIVE
TRIM IN OPEN AREA.

B	10/25/07	MLD	MAI	MAI	000607
A	09/21/06	SDJ	-	-	000441
LEVEL	DATE	DRN.	CHK.	APP.	ECN

REVISIONS

DRN.	CHK.	APP.	SCALE
SDJ	SDJ	MAI	5" = 1"
DATE	DATE	DATE	.XX ± .015
09/21/06	09/21/06	09/27/06	.XXX ± .010



JOHANSON MANUFACTURING CORPORATION
ROCKAWAY VALLEY ROAD, BOONTON, N.J. 07005 (973)334-2676 FAX (973)334-2954
ELECTRONIC ACCURACY THROUGH MECHANICAL PRECISION