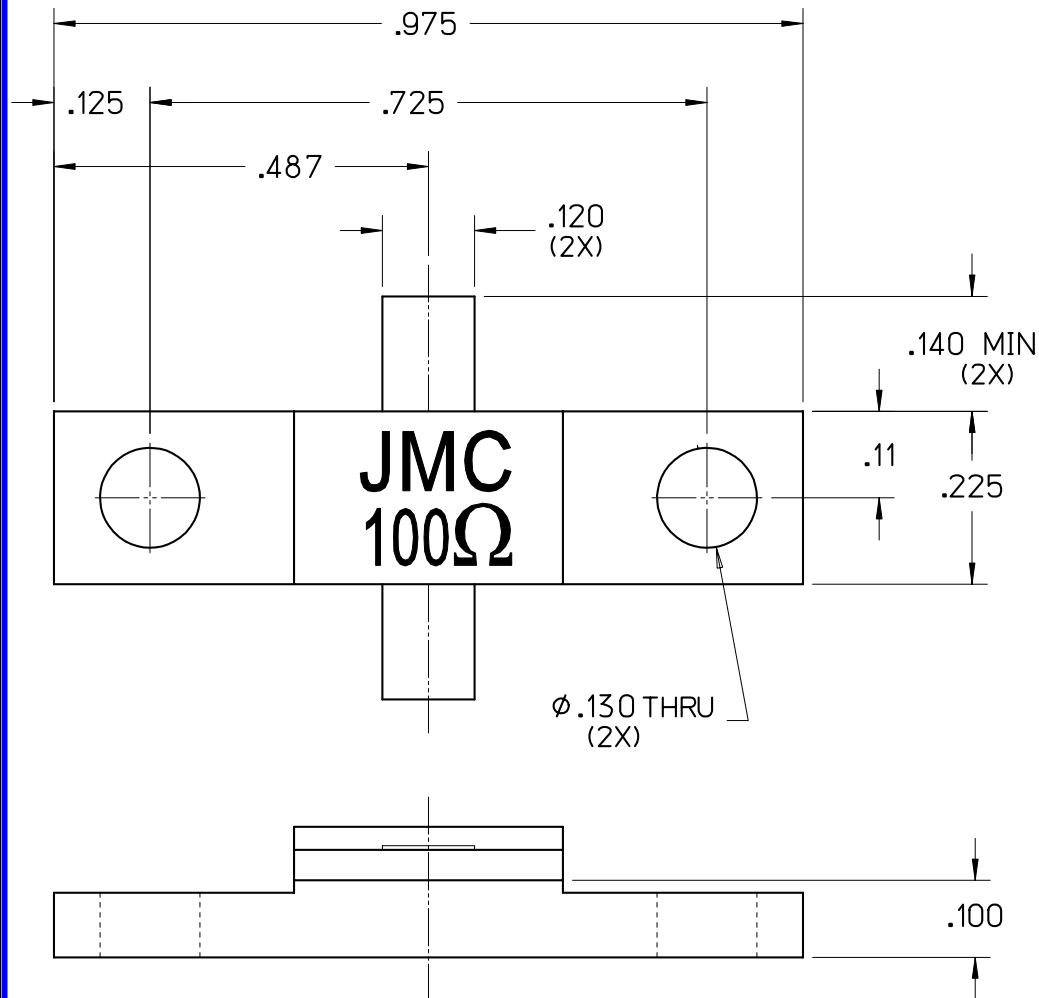


RF150BA10 B

HIGH POWER BeO RESISTOR (B150A-R10)

SPECIFICATIONS		FILE: RESOUT
POWER MAX (WATTS):	150 CW	
RESISTANCE	100 OHMS (±5%)	



CAUTION

THIS SUBSTRATE USES BERYLLIUM OXIDE
USE CARE WHEN HANDLING.
DO NOT SCRATCH OR ABRASIVE
TRIM IN OPEN AREA.

LEVEL	DATE	DRN.	CHK.	APP.	ECN
B	10/20/06	MLD	MAI	MAI	000457
A	06/01/06	MLD	-	-	000409

REVISIONS

DRN.	CHK.	APP.	SCALE
MLD	MAI	MAI	4" = 1"
DATE	DATE	DATE	.XX ± .015
06/01/06	07/06/06	07/06/06	.XXX ± .010



JOHANSON MANUFACTURING CORPORATION
ROCKAWAY VALLEY ROAD, BOONTON, N.J. 07005 (973)334-2676 FAX (973)334-2954
ELECTRONIC ACCURACY THROUGH MECHANICAL PRECISION