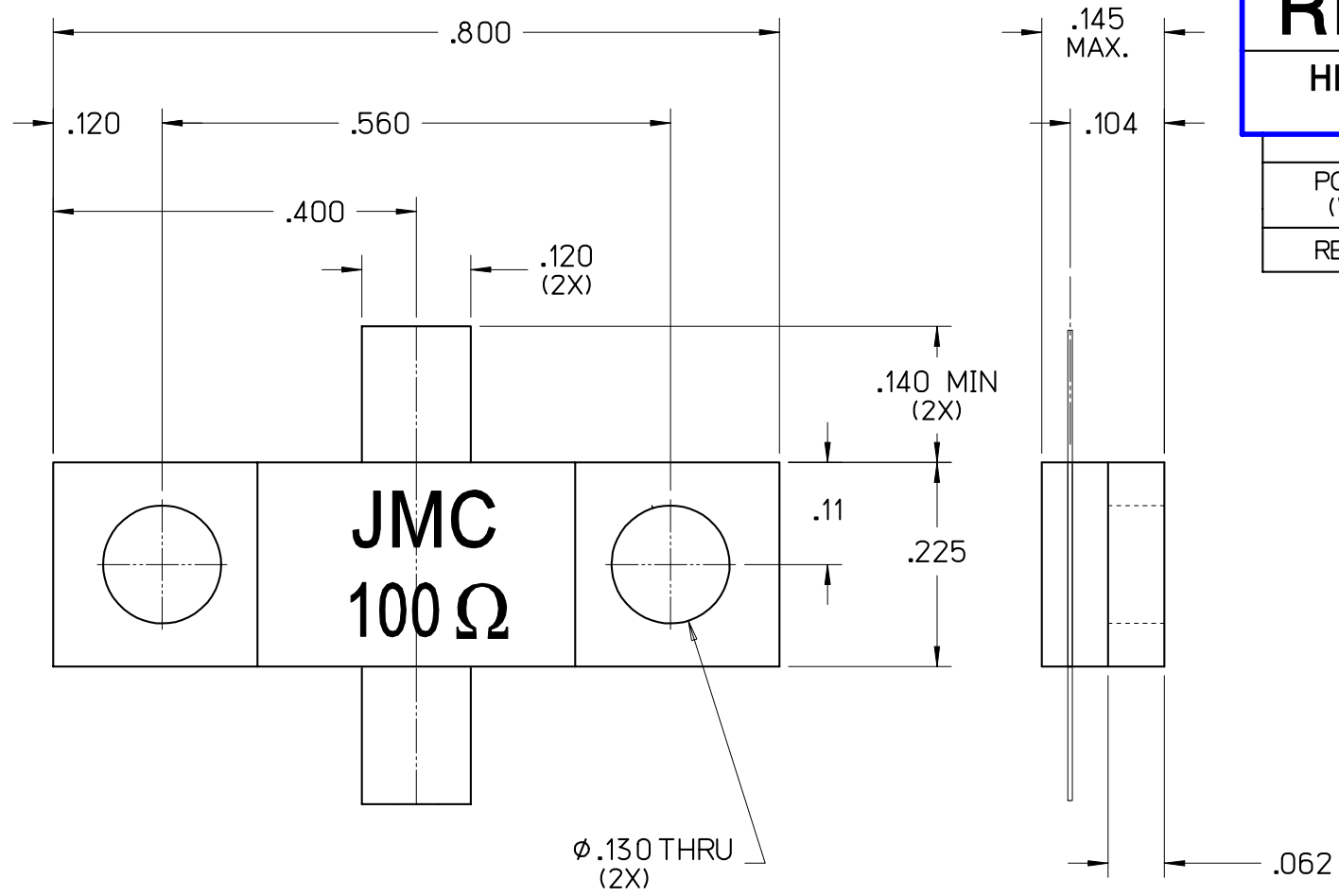


RF150BA09 C

HIGH POWER BeO RESISTOR (B150A-R9)

SPECIFICATIONS	FILE: RESOUT
POWER MAX (WATTS):	150 CW
RESISTANCE	100 OHMS (±5%)



CAUTION
 THIS SUBSTRATE USES BERYLLIUM OXIDE
 USE CARE WHEN HANDLING.
 DO NOT SCRATCH OR ABRASIVE
 TRIM IN OPEN AREA.

LEVEL	DATE	DRN.	CHK.	APP.	ECN
C	10/25/07	MLD	MAI	MAI	000607
B	10/20/06	MLD	MAI	MAI	000457
A	06/01/06	MLD	-	-	000409

REVISIONS				
DRN.	CHK.	APP.	SCALE	
MLD	MAI	MAI	5" = 1"	
DATE	DATE	DATE	.XX ± .015	
06/01/06	07/06/06	07/06/06	.XXX ± .010	



JOHANSON MANUFACTURING CORPORATION
 ROCKAWAY VALLEY ROAD, BOONTON, N.J. 07005 (973)334-2676 FAX (973)334-2954
 ELECTRONIC ACCURACY THROUGH MECHANICAL PRECISION