

MI DRG. NO.

RF100BB08C

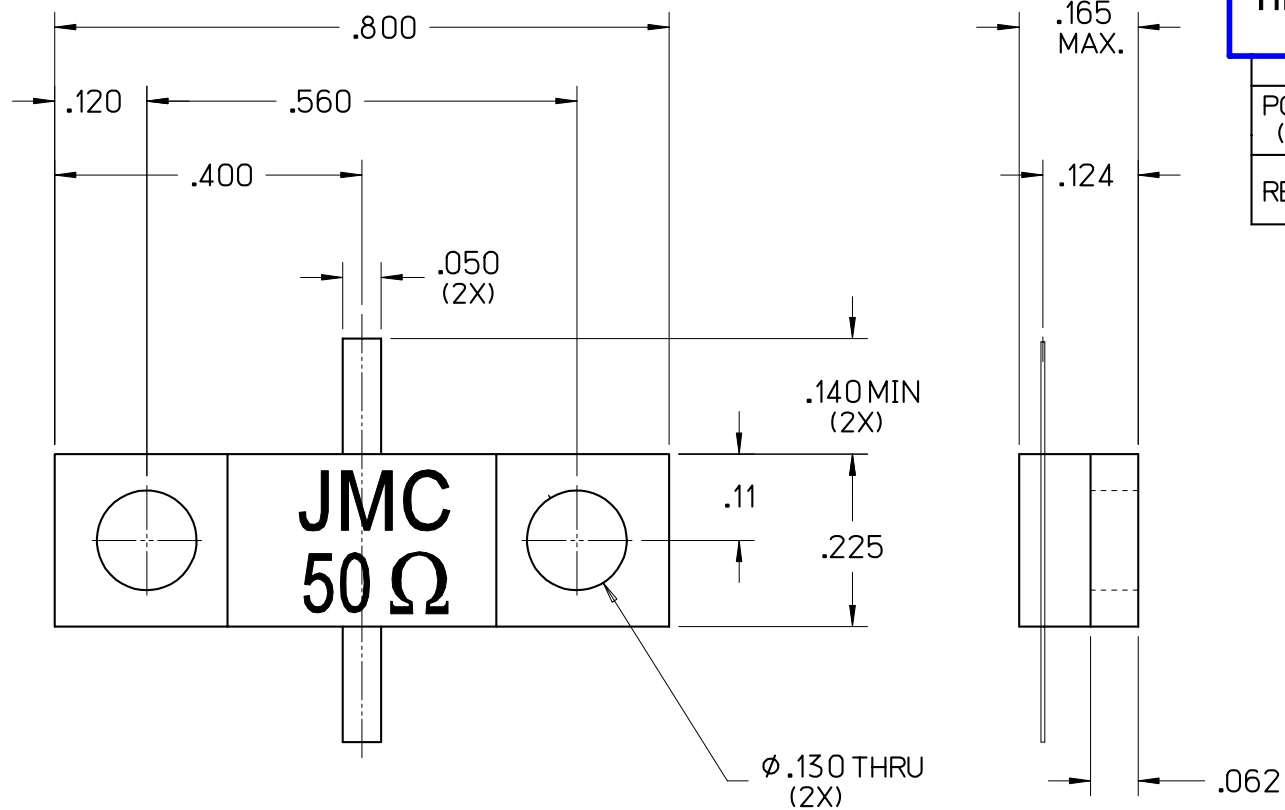
REV.

RF100BB08 C**HIGH POWER BeO RESISTOR
(B100B-R8)**

SPECIFICATIONS

FILE: RESOUT

POWER MAX (WATTS):	100 CW
RESISTANCE	50 OHMS (±5%)

**CAUTION**

THIS SUBSTRATE USES BERYLLIUM OXIDE
USE CARE WHEN HANDLING.
DO NOT SCRATCH OR ABRASIVE
TRIM IN OPEN AREA.

C	10/25/07	MLD	MAI	MAI	000607
B	10/20/06	MLD	MAI	MAI	000457
A	06/06/06	MLD	-	-	000409
LEVEL	DATE	DRN.	CHK.	APP.	ECN

REVISIONS

DRN.	CHK.	APP.	SCALE
MLD	MAI	MAI	4" = 1"
DATE	DATE	DATE	.XX ± .015
06/06/06	07/06/06	07/06/06	.XXX ± .010



JOHANSON MANUFACTURING CORPORATION
ROCKAWAY VALLEY ROAD, BOONTON, N.J. 07005 (973)334-2676 FAX (973)334-2954
ELECTRONIC ACCURACY THROUGH MECHANICAL PRECISION

PROPRIETARY INFORMATION CONTAINED NOT TO BE USED WITHOUT JOHANSON MANUFACTURING CORPORATION APPROVAL