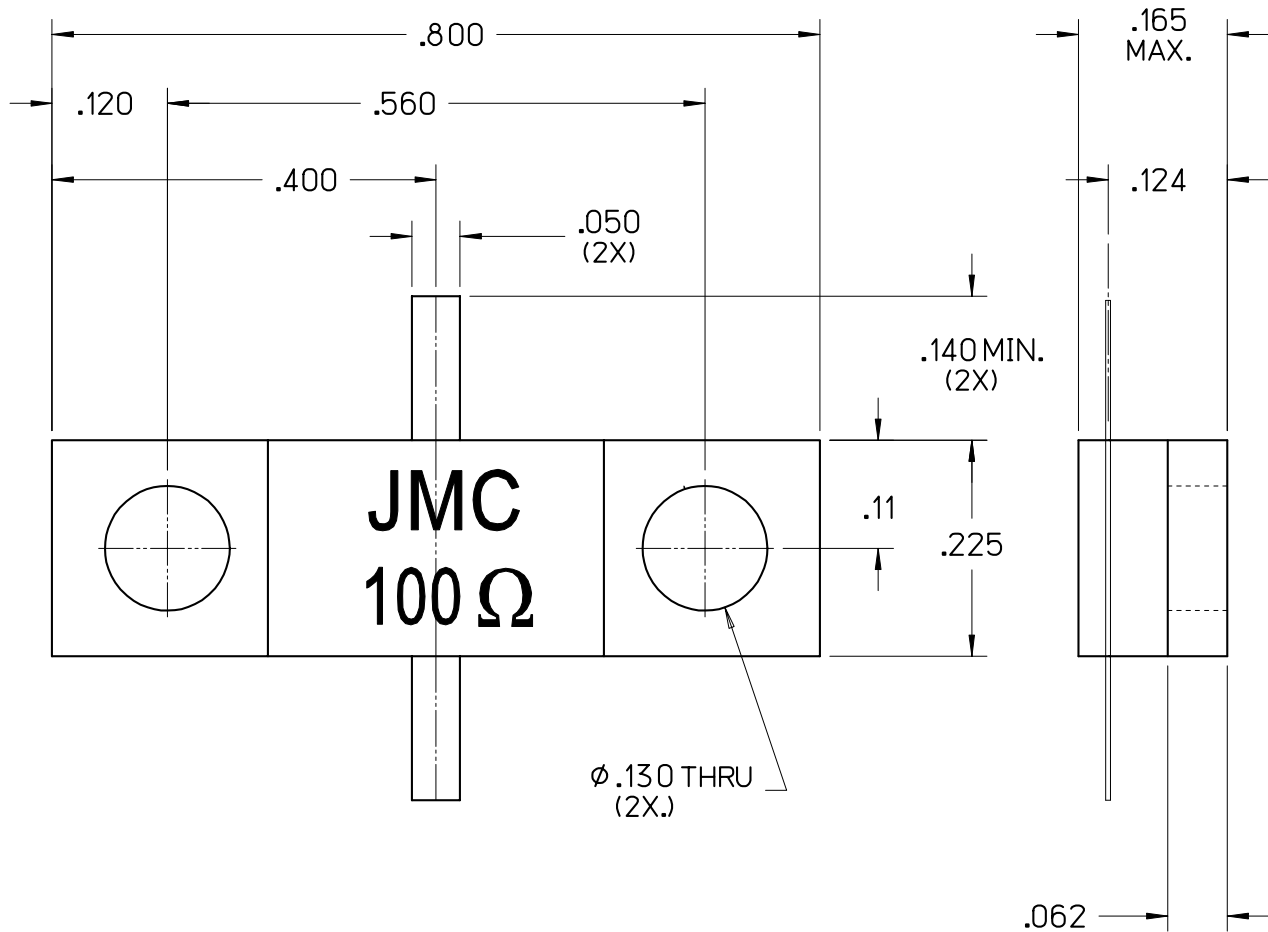


# RF100BA08 C

## HIGH POWER BeO RESISTOR (B100A-R8)

SPECIFICATIONS		FILE: RESOUT
POWER MAX (WATTS):	100 CW	
RESISTANCE	100 OHMS (±5%)	



**CAUTION**

THIS SUBSTRATE USES BERYLLIUM OXIDE  
 USE CARE WHEN HANDLING.  
 DO NOT SCRATCH OR ABRASIVE  
 TRIM IN OPEN AREA.

LEVEL	DATE	DRN.	CHK.	APP.	ECN
C	10/25/07	MLD	MAI	MAI	000607
B	09/21/06	SDJ	SDJ	MAI	000441
A	05/31/06	MLD	-	-	000409

REVISIONS

DRN.	CHK.	APP.	SCALE
MLD	MAI	MAI	5" = 1"
DATE	DATE	DATE	.XX ± .015
05/31/06	07/06/06	07/06/06	.XXX ± .010



**JOHANSON MANUFACTURING CORPORATION**  
 ROCKAWAY VALLEY ROAD, BOONTON, N.J. 07005 (973)334-2676 FAX (973)334-2954  
 ELECTRONIC ACCURACY THROUGH MECHANICAL PRECISION