

MI DRG. NO.

RF075AD08C

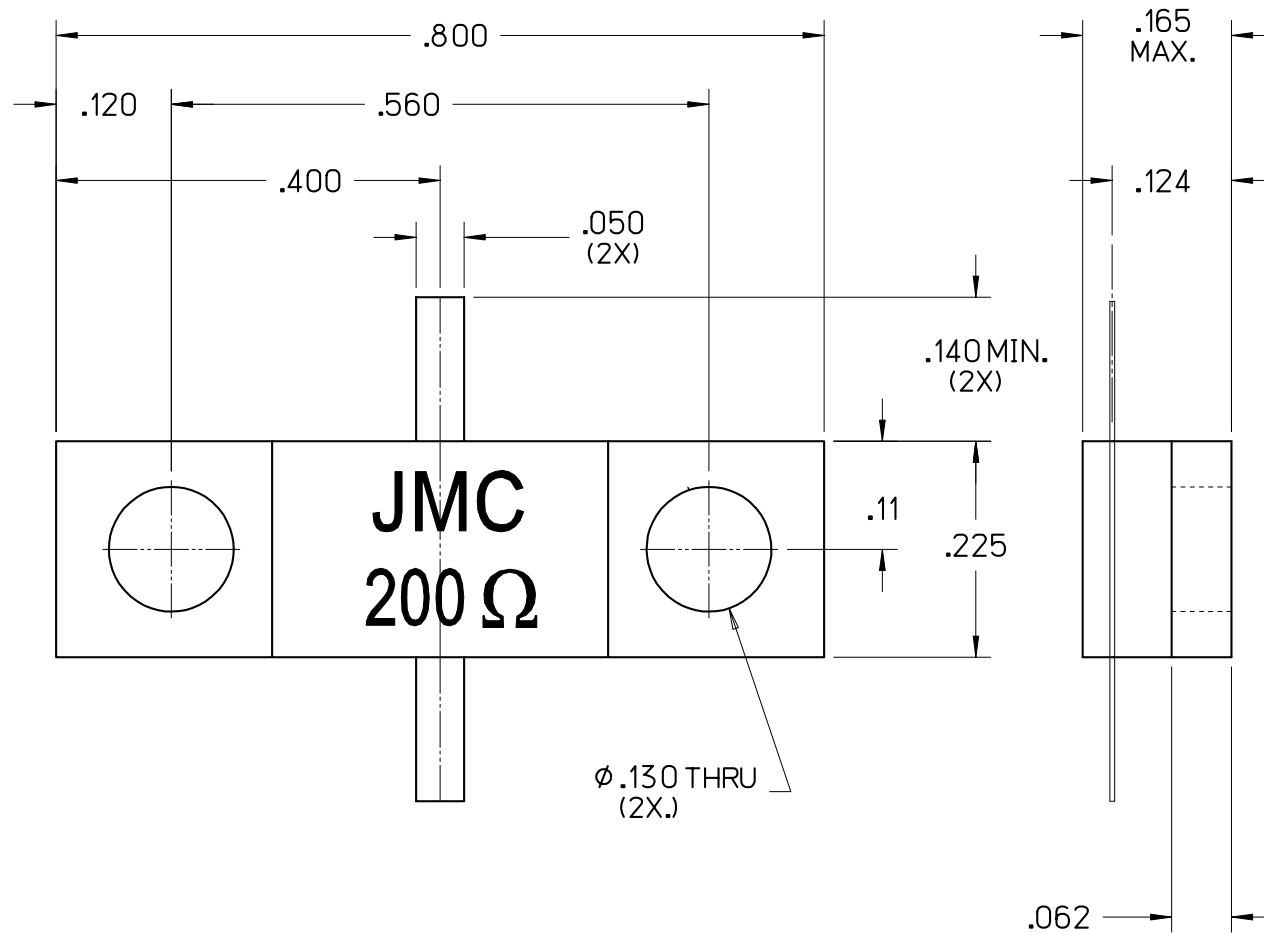
REV.

RF075AD08 C**HIGH POWER ALN RESISTOR
(A75D-R8)**

SPECIFICATIONS

FILE: RESOUT

POWER MAX (WATTS):	75 CW
RESISTANCE	200 OHMS (±5%)



C	10/25/07	MLD	MAI	MAI	000607
B	10/20/06	MLD	MAI	MAI	000457
A	05/26/06	MLD	-	-	000409
LEVEL	DATE	DRN.	CHK.	APP.	ECN

REVISIONS

DRN. MLD	CHK. MAI	APP. MAI	SCALE 5" = 1"
DATE 05/26/06	DATE 07/14/06	DATE 07/14/06	.XX ± .015 .XXX ± .010

**JOHANSON MANUFACTURING CORPORATION**

ROCKAWAY VALLEY ROAD, BOONTON, N.J. 07005 (973)334-2676 FAX (973)334-2954
ELECTRONIC ACCURACY THROUGH MECHANICAL PRECISION

PROPRIETARY INFORMATION CONTAINED NOT TO BE USED WITHOUT JOHANSON MANUFACTURING CORPORATION APPROVAL