

MI DRG. NO.

RF075AA08C

REV.

**RF075AA08 C****HIGH POWER ALN RESISTOR  
(A75A-R8)**

SPECIFICATIONS

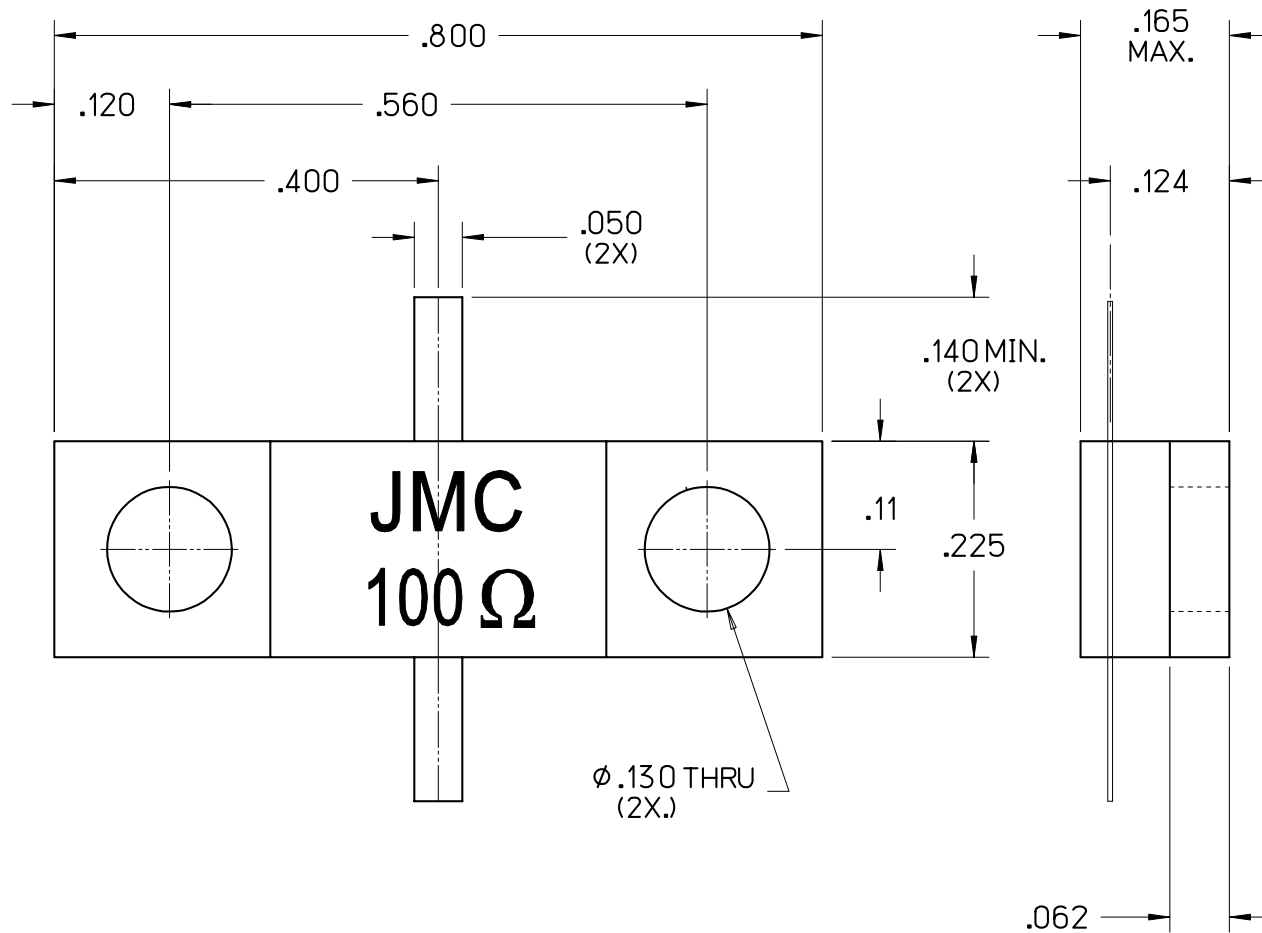
FILE: RESOUT

POWER MAX  
(WATTS):

75 CW

RESISTANCE

100 OHMS (±5%)



C	10/25/07	MLD	MAI	MAI	000607
B	10/20/06	MLD	MAI	MAI	000457
A	05/19/06	MLD	-	-	000409
LEVEL	DATE	DRN.	CHK.	APP.	ECN

## REVISIONS

DRN.	CHK.	APP.	SCALE
MLD	MAI	MAI	5' = 1"
DATE	DATE	DATE	.XX ± .015
05/19/06	07/14/06	07/14/06	.XXX ± .010

**JOHANSON MANUFACTURING CORPORATION**ROCKAWAY VALLEY ROAD, BOONTON, N.J. 07005 (973)334-2676 FAX (973)334-2954  
ELECTRONIC ACCURACY THROUGH MECHANICAL PRECISION

PROPRIETARY INFORMATION CONTAINED NOT TO BE USED WITHOUT JOHANSON MANUFACTURING CORPORATION APPROVAL