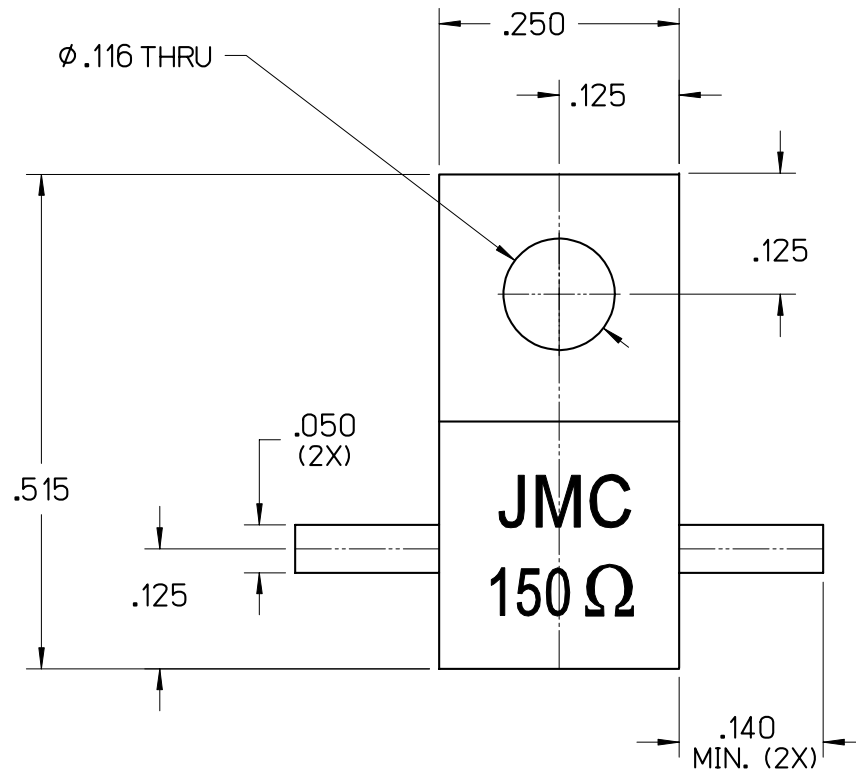


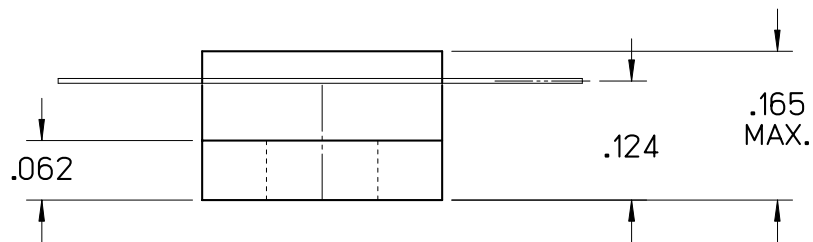
RF060BE03

A

HIGH POWER BeO RESISTOR



SPECIFICATIONS		FILE: RESOUT
POWER MAX (WATTS):		60 CW
RESISTANCE		150 OHMS ($\pm 5\%$)



CAUTION

THIS SUBSTRATE USES BERYLLIUM OXIDE
USE CARE WHEN HANDLING.
DO NOT SCRATCH OR ABRASIVE
TRIM IN OPEN AREA.

A	01/06/09	MLD	-	-	000744
LEVEL	DATE	DRN.	CHK.	APP.	ECN

REVISIONS

DRN.	CHK.	APP.	SCALE
MLD	MAI	MAI	5' = 1"
DATE	DATE	DATE	.XX \pm .015
01/06/09	01/19/09	01/19/09	.XXX \pm .010



JOHANSON MANUFACTURING CORPORATION
ROCKAWAY VALLEY ROAD, BOONTON, N.J. 07005 (973)334-2676 FAX (973)334-2954
ELECTRONIC ACCURACY THROUGH MECHANICAL PRECISION