

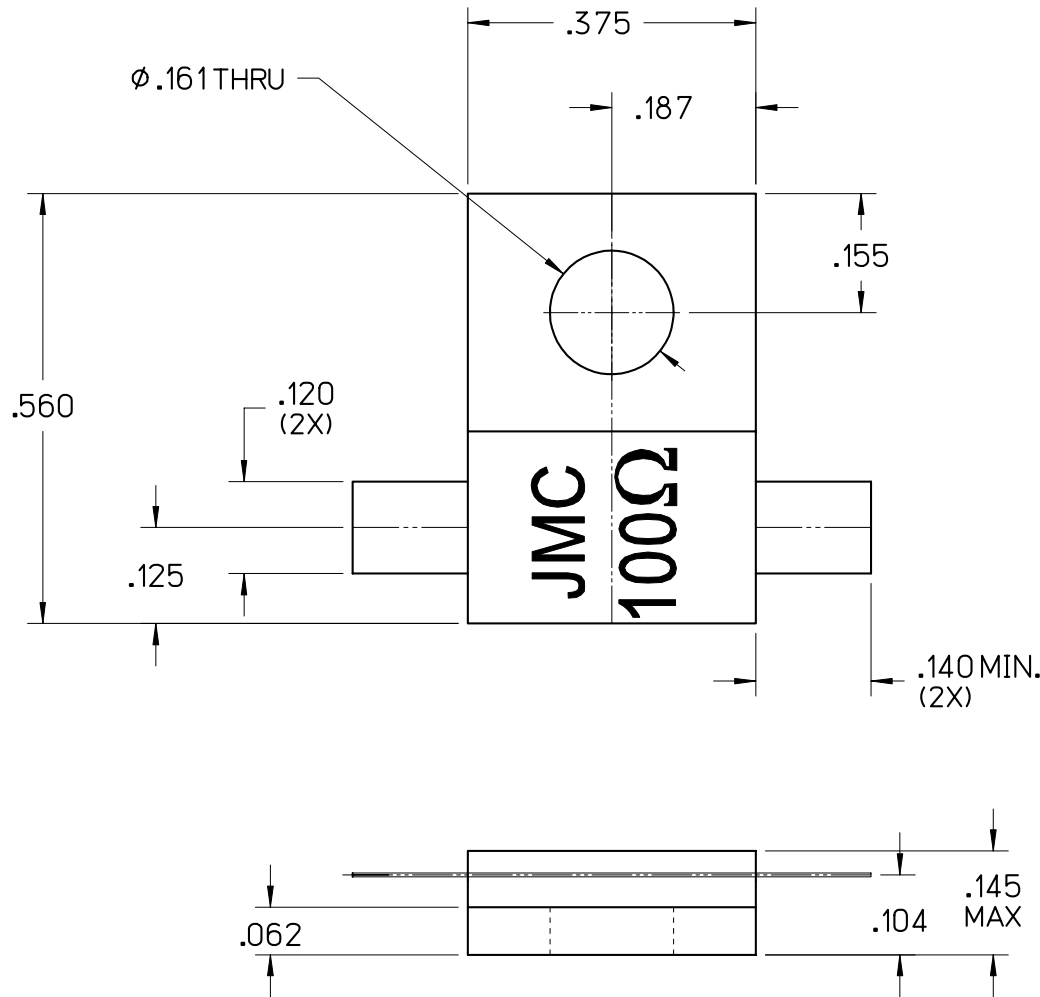
RF050AA06 C

HIGH POWER ALN RESISTOR (A50A-R6)

SPECIFICATIONS

FILE: RESOUT

POWER MAX (WATTS):	50 CW
RESISTANCE	100 OHMS (±5%)



LEVEL	DATE	DRN.	CHK.	APP.	ECN
C	10/25/07	MLD	MAI	MAI	000607
B	10/20/06	MLD	MAI	MAI	000457
A	05/19/06	MLD	-	-	000409

REVISIONS

DRN.	CHK.	APP.	SCALE
MLD	MAI	MAI	4" = 1"
DATE	DATE	DATE	.XX ± .015 .XXX ± .010
05/19/06	07/17/06	07/17/06	



JOHANSON MANUFACTURING CORPORATION
 ROCKAWAY VALLEY ROAD, BOONTON, N.J. 07005 (973)334-2676 FAX (973)334-2954
 ELECTRONIC ACCURACY THROUGH MECHANICAL PRECISION