

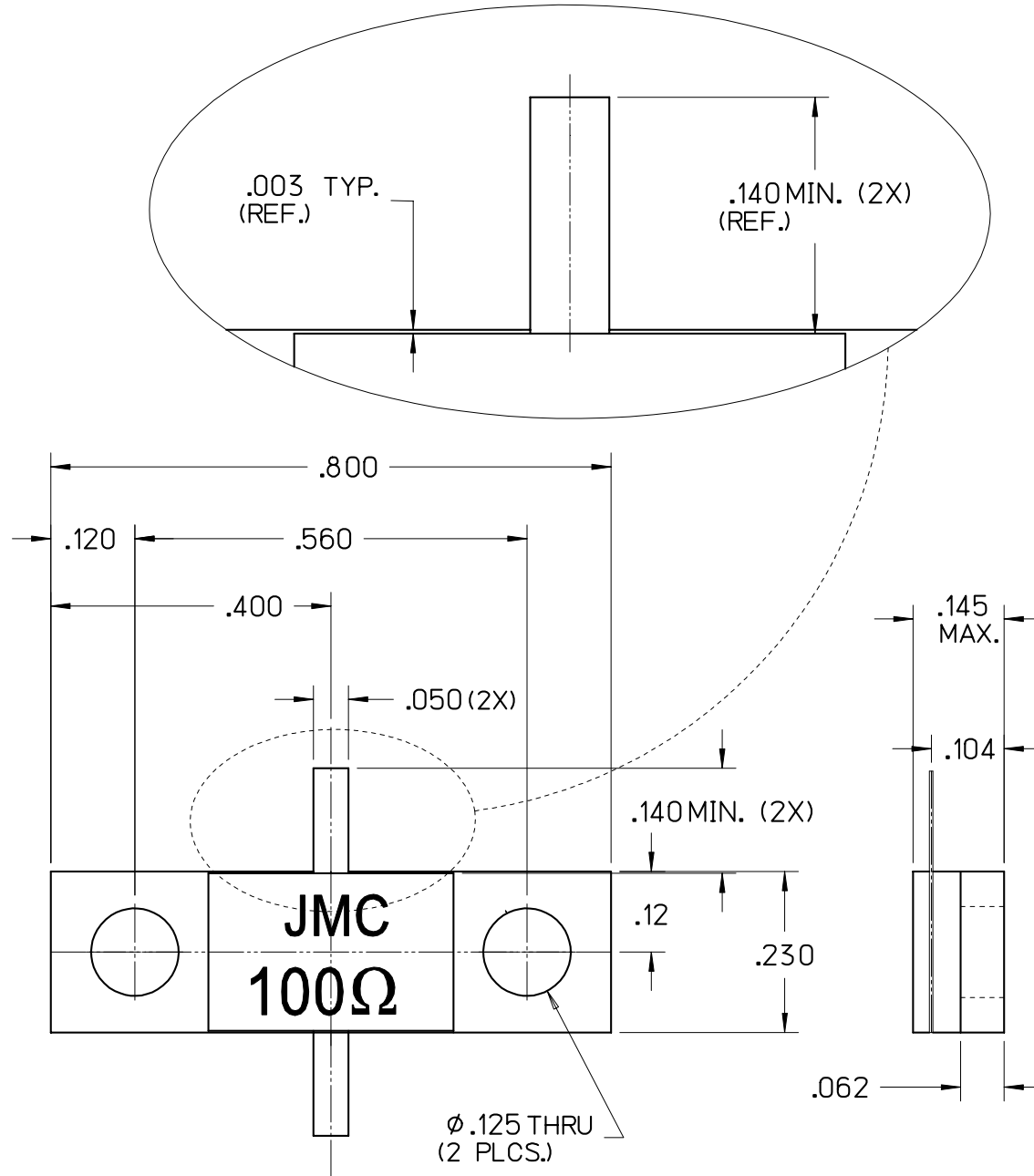
# RF040BA04-100 B

## HIGH POWER BeO RESISTOR

| SPECIFICATIONS     | FILE: RESOUT   |
|--------------------|----------------|
| POWER MAX (WATTS): | 40 CW          |
| RESISTANCE         | 100 OHMS (±5%) |

### CAUTION

THIS SUBSTRATE USES BERYLLIUM OXIDE  
 USE CARE WHEN HANDLING.  
 DO NOT SCRATCH OR ABRASIVE  
 TRIM IN OPEN AREA.



| LEVEL | DATE     | DRN. | CHK. | APP. | ECN    |
|-------|----------|------|------|------|--------|
| B     | 10/25/07 | MLD  | MAI  | MAI  | 000607 |
| A     | 05/23/07 | SAF  | -    | -    | 000554 |

#### REVISIONS

| DRN.     | CHK.     | APP.     | SCALE                     |
|----------|----------|----------|---------------------------|
| SAF      | SAF      | MAI      | 4" = 1"                   |
| DATE     | DATE     | DATE     | .XX ± .015<br>.XXX ± .010 |
| 05/23/07 | 05/23/07 | 05/23/07 |                           |



**JOHANSON MANUFACTURING CORPORATION**  
 ROCKAWAY VALLEY ROAD, BOONTON, N.J. 07005 (973)334-2676 FAX (973)334-2954  
 ELECTRONIC ACCURACY THROUGH MECHANICAL PRECISION