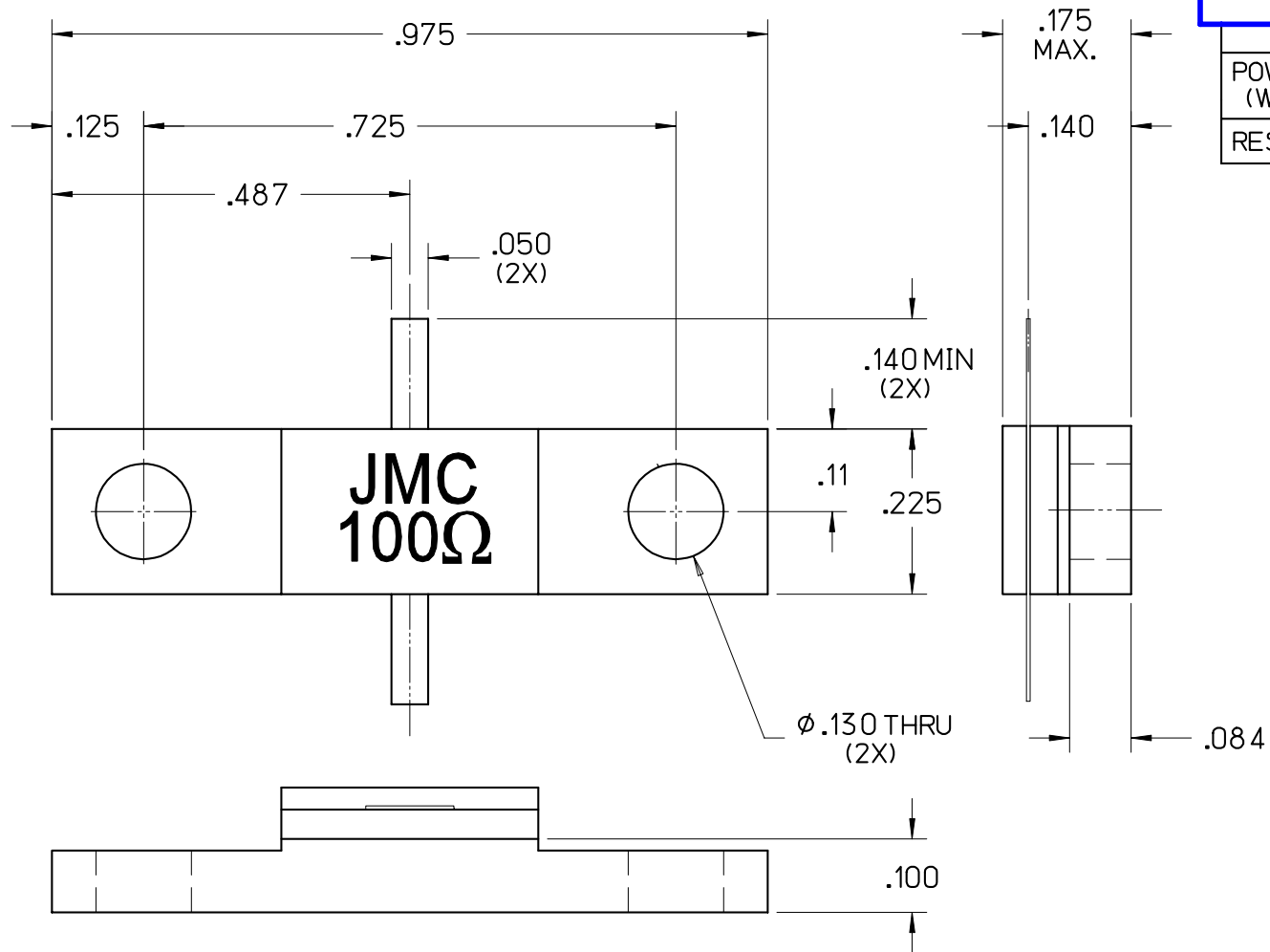


RF040AA05B

HIGH POWER ALN RESISTOR (A40A-R5)



SPECIFICATIONS		FILE: RESOUT
POWER MAX (WATTS):	40 CW	
RESISTANCE	100 OHMS (±5%)	

LEVEL	DATE	DRN.	CHK.	APP.	ECN
B	10/20/06	MLD	MAI	MAI	000457
A	05/18/06	MLD	-	-	000409

REVISIONS

DRN.	CHK.	APP.	SCALE
MLD	MAI	MAI	4" = 1"
DATE	DATE	DATE	.XX ± .015
05/18/06	07/17/06	07/17/06	.XXX ± .010



JOHANSON MANUFACTURING CORPORATION
 ROCKAWAY VALLEY ROAD, BOONTON, N.J. 07005 (973)334-2676 FAX (973)334-2954
 ELECTRONIC ACCURACY THROUGH MECHANICAL PRECISION