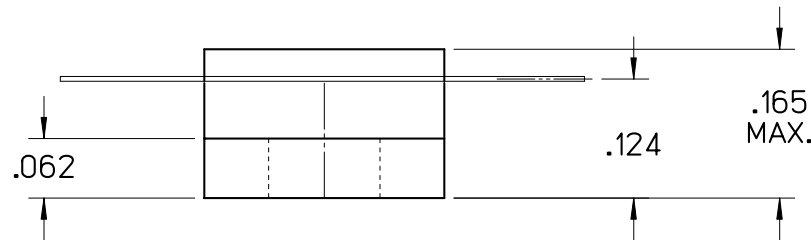
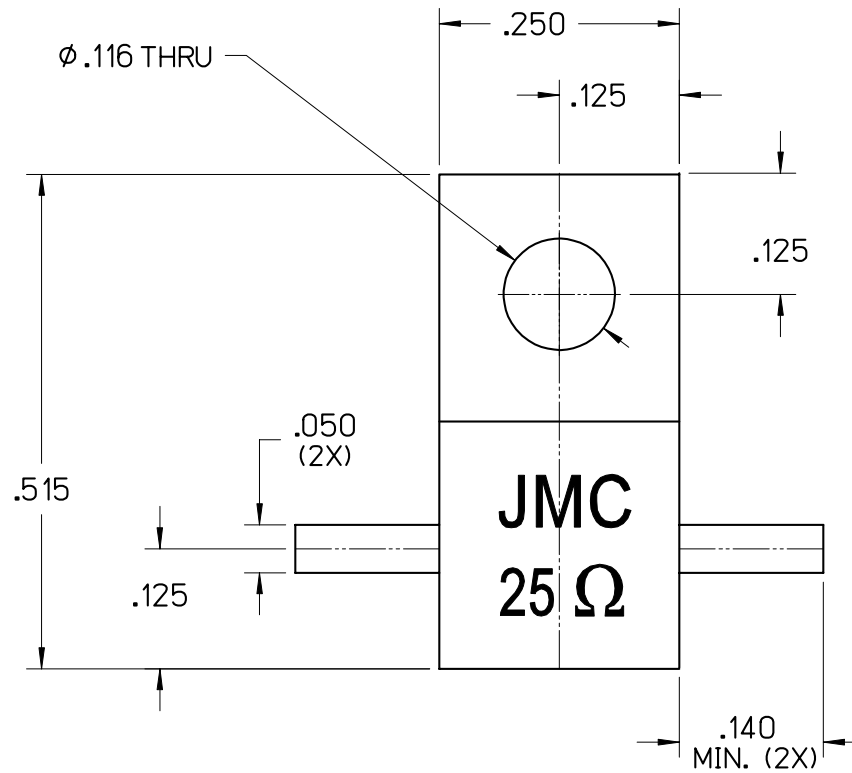


RF020BF03 B

HIGH POWER BeO RESISTOR

SPECIFICATIONS		FILE: RESOUT
POWER MAX (WATTS):		20 CW
RESISTANCE		25 OHMS (±5%)



CAUTION

THIS SUBSTRATE USES BERYLLIUM OXIDE
USE CARE WHEN HANDLING.
DO NOT SCRATCH OR ABRASIVE
TRIM IN OPEN AREA.

B	10/24/07	MLD	MAI	MAI	000607
A	08/07/07	SAF	-	-	000580
LEVEL	DATE	DRN.	CHK.	APP.	ECN

REVISIONS

DRN.	CHK.	APP.	SCALE
SAF	MAI	MAI	5" = 1"
DATE	DATE	DATE	.XX ± .015
08/07/07	09/18/07	09/18/07	.XXX ± .010



JOHANSON MANUFACTURING CORPORATION
ROCKAWAY VALLEY ROAD, BOONTON, N.J. 07005 (973)334-2676 FAX (973)334-2954
ELECTRONIC ACCURACY THROUGH MECHANICAL PRECISION