

RF020BA22 B

HIGH POWER BeO RESISTOR (B20A-R22)

SPECIFICATIONS

FILE: RESOUT

POWER MAX
(WATTS):

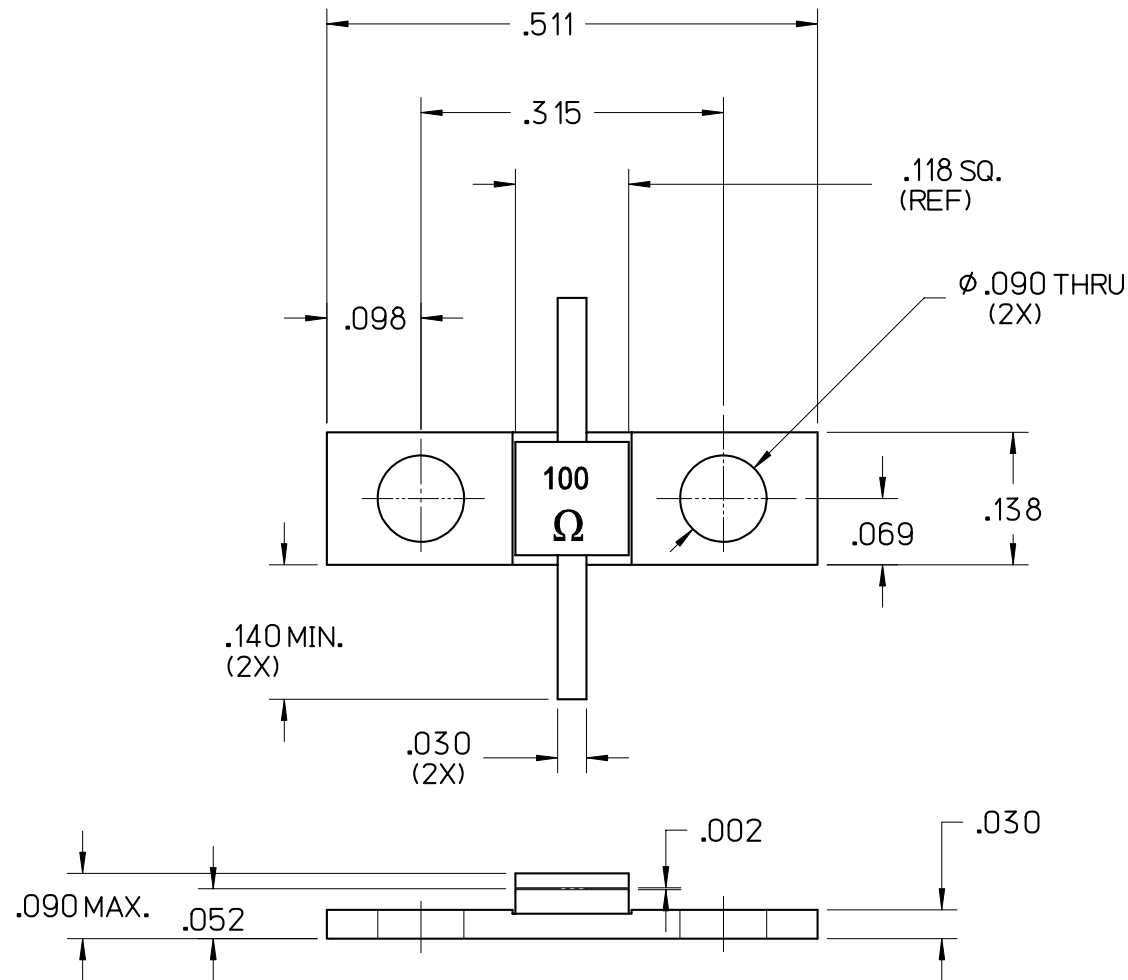
20 CW

RESISTANCE

100 OHMS (±5%)

CAUTION

THIS SUBSTRATE USES BERYLLIUM OXIDE
USE CARE WHEN HANDLING.
DO NOT SCRATCH OR ABRASIVE
TRIM IN OPEN AREA.



B	02/07/07	MLD	MAI	MAI	000501
A	02/01/07	MLD	-	-	000499
LEVEL	DATE	DRN.	CHK.	APP.	ECN

REVISIONS

DRN.	MLD	CHK.	MAI	APP.	MAI	SCALE
DATE	DATE	DATE	DATE	DATE	DATE	.XX ± .015 .XXX ± .010
02/01/07	02/01/07	02/01/07	02/01/07	02/01/07	02/01/07	



JOHANSON MANUFACTURING CORPORATION
ROCKAWAY VALLEY ROAD, BOONTON, N.J. 07005 (973)334-2676 FAX (973)334-2954
ELECTRONIC ACCURACY THROUGH MECHANICAL PRECISION