

# RF020BA03

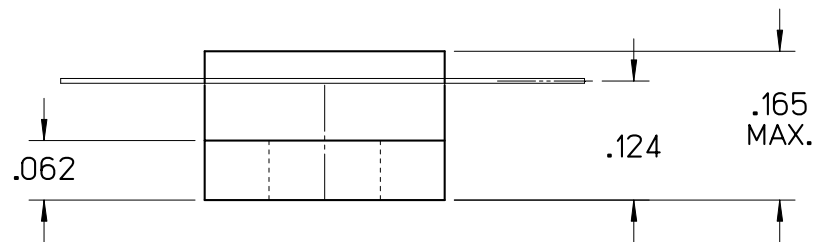
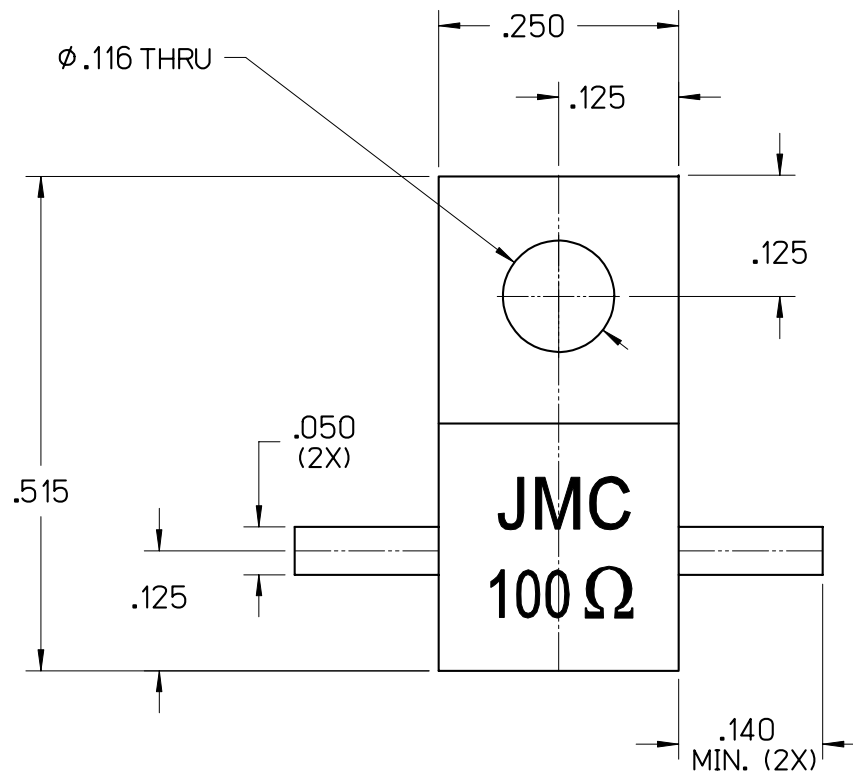
# C

## HIGH POWER BeO RESISTOR (B20A-R3)

SPECIFICATIONS

FILE: RESOUT

POWER MAX (WATTS):	20 CW
RESISTANCE	100 OHMS (±5%)



### CAUTION

THIS SUBSTRATE USES BERYLLIUM OXIDE  
USE CARE WHEN HANDLING.  
DO NOT SCRATCH OR ABRASIVE  
TRIM IN OPEN AREA.

C	10/24/07	MLD	MAI	MAI	000607
B	10/20/06	MLD	MAI	MAI	000457
A	05/30/06	MLD	-	-	000409
LEVEL	DATE	DRN.	CHK.	APP.	ECN

REVISIONS

DRN.	CHK.	APP.	SCALE
MLD	MAI	MAI	5" = 1"
DATE	DATE	DATE	.XX ± .015
05/30/06	07/06/06	07/06/06	.XXX ± .010



**JOHANSON MANUFACTURING CORPORATION**  
ROCKAWAY VALLEY ROAD, BOONTON, N.J. 07005 (973)334-2676 FAX (973)334-2954  
ELECTRONIC ACCURACY THROUGH MECHANICAL PRECISION