

RF020BA02 A

HIGH POWER BeO RESISTOR

SPECIFICATIONS

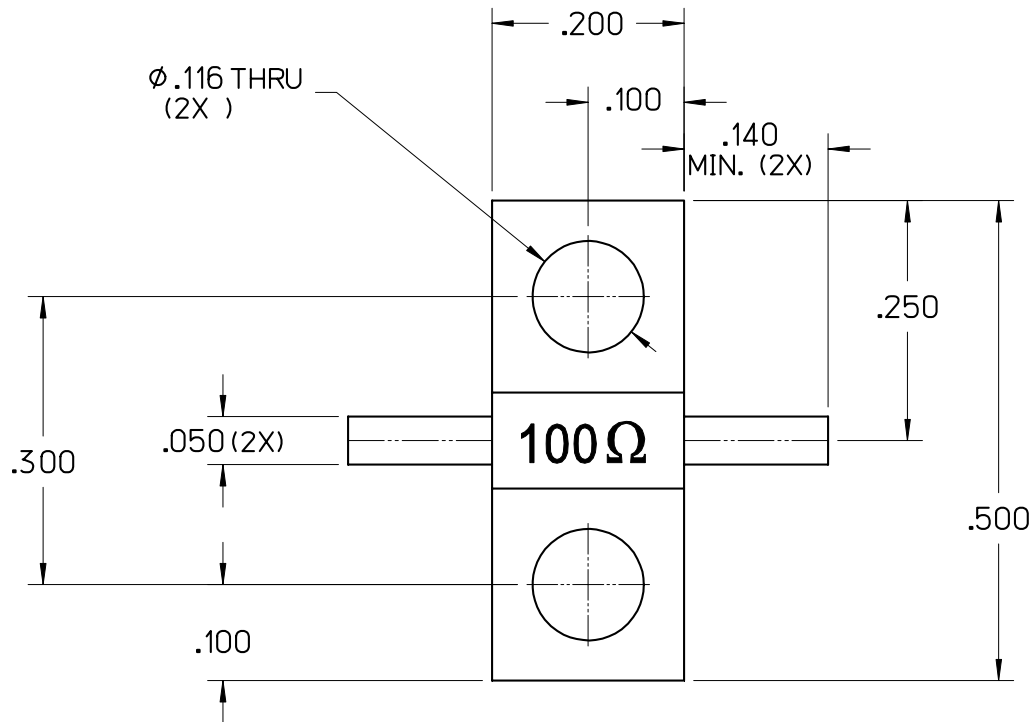
FILE: RESOUT

POWER MAX
(WATTS):

20 CW

RESISTANCE

100 OHMS (±5%)



CAUTION

THIS SUBSTRATE USES BERYLLIUM OXIDE
USE CARE WHEN HANDLING.
DO NOT SCRATCH OR ABRASIVE
TRIM IN OPEN AREA.

A	01/17/09	MAI	-	-	000747
LEVEL	DATE	DRN.	CHK.	APP.	ECN

REVISIONS

DRN.	CHK.	APP.	SCALE
MAI	MAI	MAI	5" = 1"
DATE	DATE	DATE	.XX ± .015
01/17/09	01/17/09	01/17/09	.XXX ± .010



JOHANSON MANUFACTURING CORPORATION
ROCKAWAY VALLEY ROAD, BOONTON, N.J. 07005 (973)334-2676 FAX (973)334-2954
ELECTRONIC ACCURACY THROUGH MECHANICAL PRECISION